

# Cavalletto

Design by Estel R&D

Cavalletto structure with inclined legs is remarkable for its essentiality and versatility. Main structure is independent from the design of countertops, and allows the creation of rectangular single desks or benches, with maximum design freedom and a wide range of finishes. The tops are available with right-angled solutions (G90 top) or with ergonomic and rounded shapes (Ergo top). All benches feature

integrated electrical connection in the undertop metallic tray, and can be supplied with several accessories, like top access, accessories bars, monitor arms, CPU holder, screen panels, cable holders, cable trays, whiteboards.



## TECHNICAL FEATURES



### Tops

#### G90 MELAMINE

Tops are made in 30 mm thick (1 $\frac{1}{8}$ " ) chipboard panels with antiscratch and anti-reflect melamine surfaces; tops are edged in ABS.

#### ERGO EDGE MELAMINE ON MDF

Tops in MDF, th. mm 30, with melamine surface; wooden edges with transparent surface coating treatment; rounded corners; countertops feature an elegant inclined thin cut on all sides.

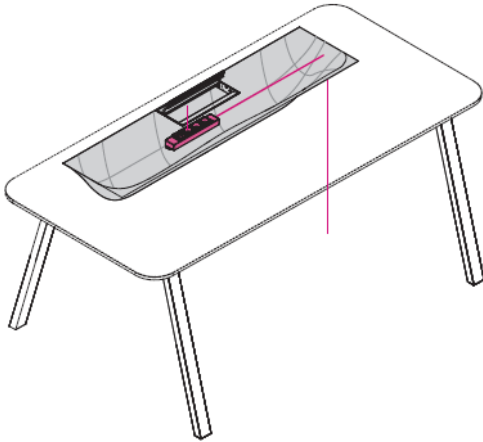
Worktop corners are rounded (radius 80).



### Structure

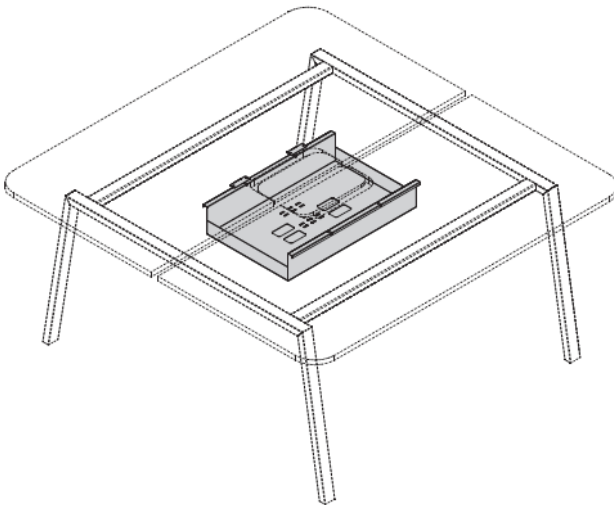
Legs and undertop structure made with S/Steel profiles, section cm 5 (2") x 3 (1 $\frac{1}{8}$ " ), with powder coating finish.

# ELECTRIFICATION



## Single desk

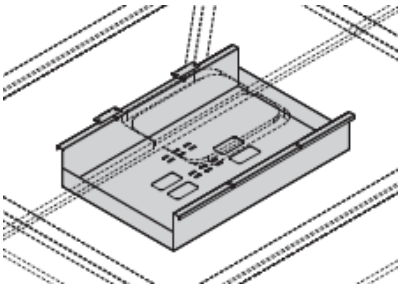
Electrification system made of cornice top access and thermoformed cable tray upholstered in fabric. The cable tray has also the function of modesty panel.



## Bench

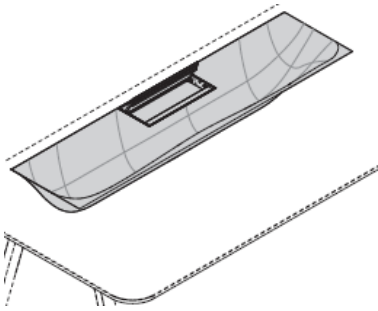
Removable shared cable tray in powder coated metal for cable passage. Wooden flips fixed to the central equipped bar that allow easy cable passage.

# ELECTRIFICATION



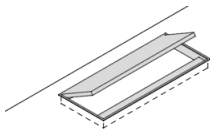
## Cable tray

Removable shared cable tray in powder coated metal for cable passage. Wooden flips fixed to the central equipped bar that allow easy cable passage.

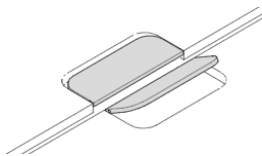


## Top access

Cornice top access with thermoformed cable tray for single desk

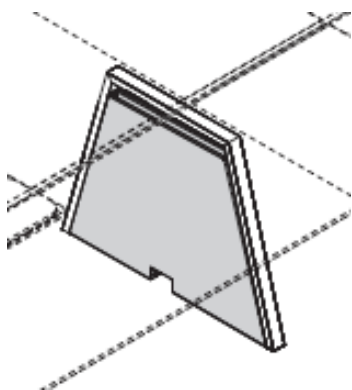


Cornice top access for single desk



Pivot top access for bench

# ELECTRIFICATION



Cable management for bench intermediate leg



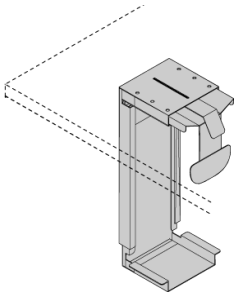
## **Cable management**

Cable outlet for single desk.

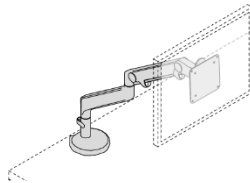


Cable management tube (also available for bench)

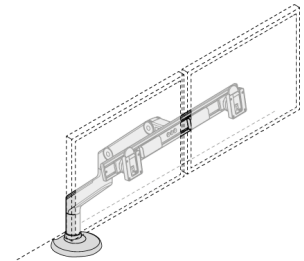
# ACCESSORIES



CPU holder with extensible support



Single monitor holder



holder

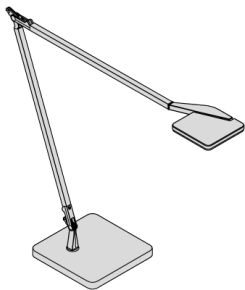
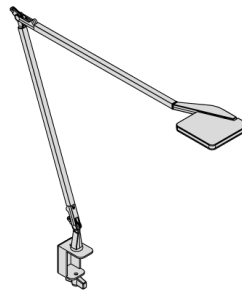
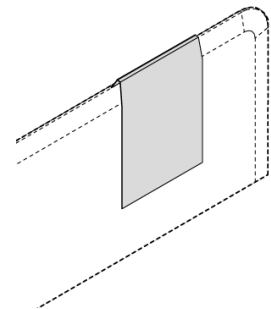


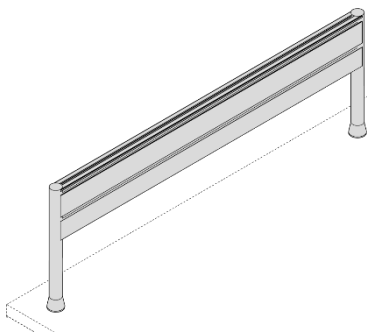
Table lamp



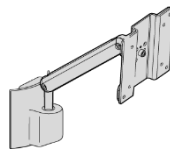
Clamp lamp



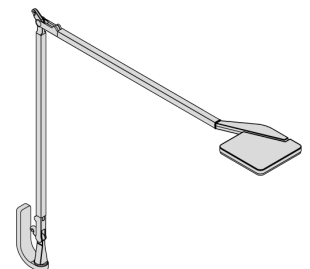
Whiteboard for screen panel



Accessory bar

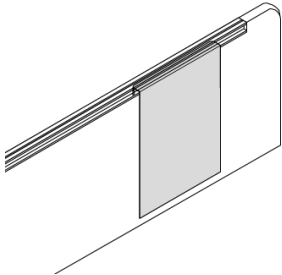


Monitor holder for bar

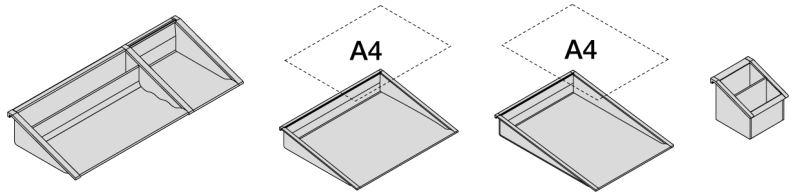


LED lamp for bar

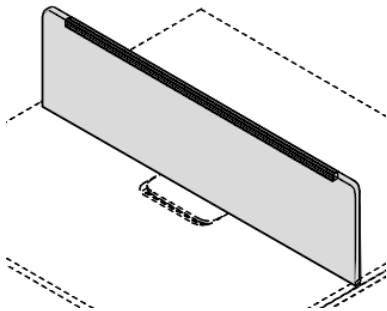
# ACCESSORIES



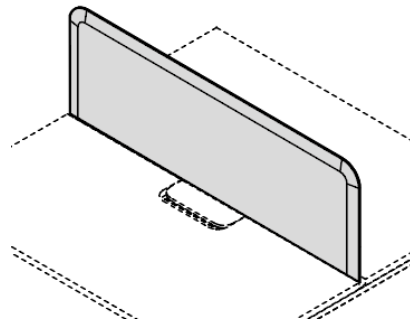
Whiteboard for screen panel with aluminium frame



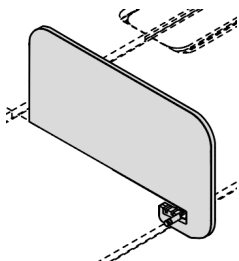
Accessories for bar



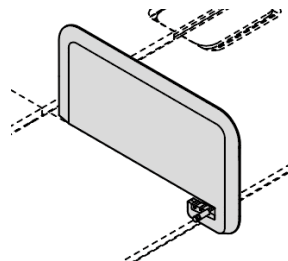
Frontal screen panel with aluminium frame



Frontal screen panel

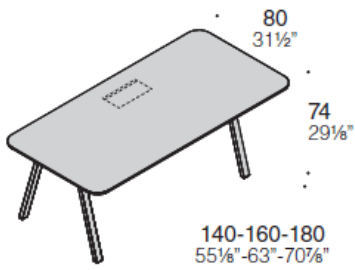


Side screen panel with hook

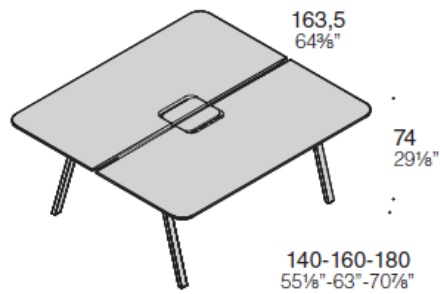


Side screen panel with hook

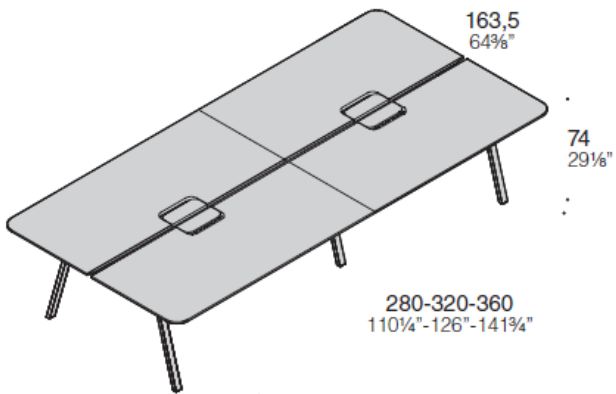
# DIMENSIONS



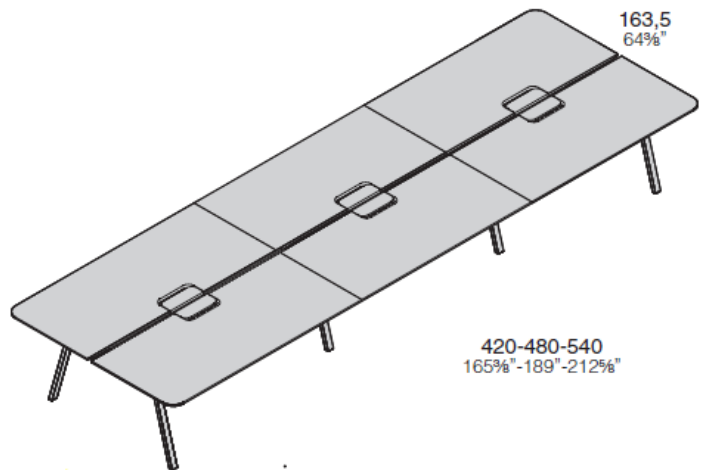
Single desk



Bench - 2 seats



Bench - 4 seats



Bench - 6 seats





Bench - 4 seats



Single desk



## **HEADQUARTER**

Estel Group srl  
Via Santa Rosa 70  
36016 Thiene (VI) – Italy  
Tel. +39 0445 389611  
Fax +39 0445 808801  
[www.estel.com](http://www.estel.com)

The information shown in this document is based on the latest published price lists. The Company reserves the right to modify the products without prior notice.

**ESTEL rev. 03\_07/2019**

---