

# Evo HP

Design by Estel R&D

Evo HP desk system is composed by an essential aluminium tubular structure, in which an electric lifting system is integrated: with a simple click, the worktop can be lifted from 60 (23<sup>5</sup>/<sub>8</sub> ") to 125 cm (49<sup>1</sup>/<sub>4</sub> ") from floor level, allowing to change from sitting to stand-up position at work. The control button is integrated in the worktop; the system features a security function to prevent injury. Bench version with sound-absorbing screen panels, upholstered in fabric, ensures maximum privacy. Evo HP can be integrated with a wide range of accessories, as top access, accessories bars, monitor arms, CPU holder, screen panels, cable holders, cable trays, whiteboards. Screen panel is mounted on the lifting worktop and follows its movement; it is also available with writable surface.



## TECHNICAL FEATURES



### **Tops of single desks and benches**

G90 MELAMINE

Tops are made in 30 mm thick (1 $\frac{1}{8}$  ") chipboard panels with antiscratch and anti-reflect melamine surfaces; tops are edged in ABS.

ERGO EDGE (ONLY OPERATOR SIDE)  
MELAMINE ON MDF

Tops in MDF, th. mm 30 (1 $\frac{1}{8}$  "), with melamine surface; wooden edges with transparent surface coating treatment; rounded corners; countertops feature an elegant inclined thin cut on operator side.



### **Tops of executive / meeting desks**

ERGO EDGE  
MELAMINE ON MDF

Tops in MDF, th. mm 30 (1 $\frac{1}{8}$  "), with melamine surface; wooden edges with transparent surface coating treatment; rounded corners; countertops feature an elegant inclined thin cut on all sides.

ERGO EDGE  
VENEER

Tops in veneer, th. mm 30 (1 $\frac{1}{8}$  "); edges in veneer; countertops feature an elegant inclined thin cut on all sides.

Worktop corners are rounded (radius 80).

## TECHNICAL FEATURES

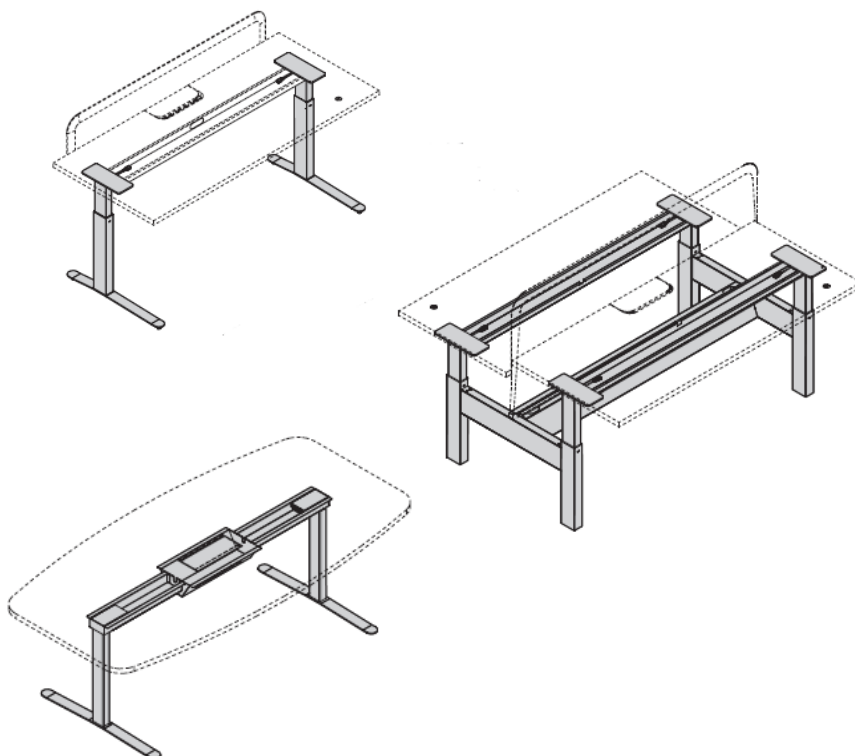


### Structure

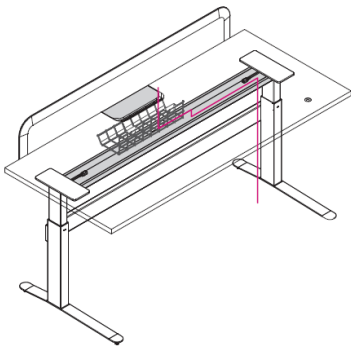
Bases in bended metal sheet, equipped with height adjustable feet. Central rectangular-section metal beam. Tubular columns with a three-stages lifting structure in metal.

### Desk height adjustment (sit&stand)

The floor lifting system allows the user to switch from a sitting to a standing position. The latest generation lifting columns are surprisingly silent and fast, and are controlled by a motorized remote unit with lifting anti-crashing safety system. The activation button is integrated on the top of the desk.

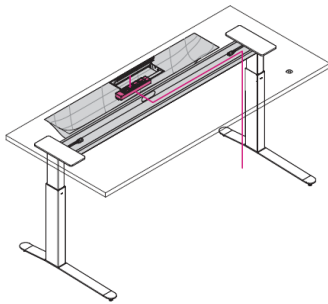


# ELECTRIFICATION



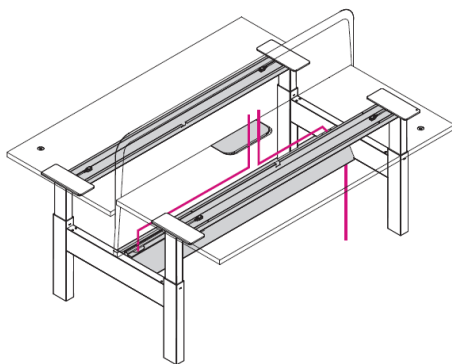
## Single desk with screen panel

The electrification of the desk is guaranteed by pivot top access placed on the worktop surface, allowing an easy access to the grid where sockets are located.



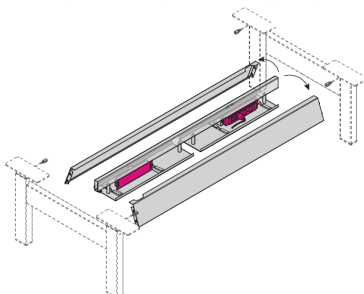
## Single desk without screen panel

The electrification of the desk is guaranteed by cornice top access placed on the worktop surface and thermoformed cable tray upholstered in fabric. The cable tray has also the function of modesty panel.



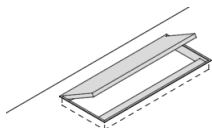
## Bench

In the bench systems, instead, the cable passage is realized through a special mesh-tray in steel, housing all the sockets above a metal casing.

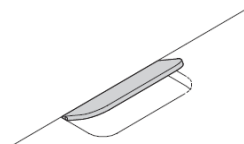


Electrification detail of cable tray with cover.

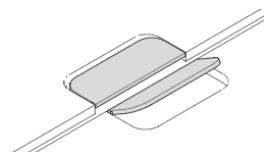
# ELECTRIFICATION



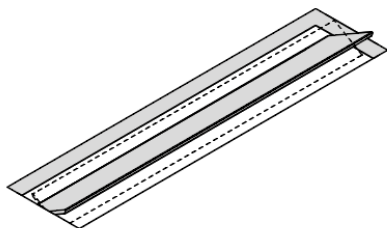
Comice top access for single desk without screen panel



Pivot top access for single desk with screen panel

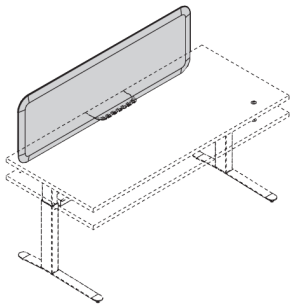


Pivot top access for bench

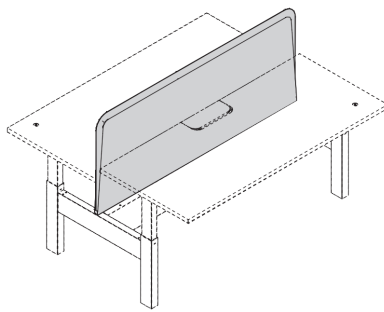


Double-face top access for executive/meeting desks

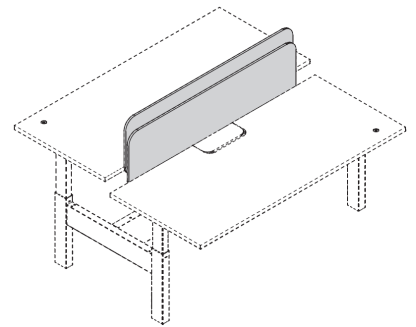
# ACCESSORIES



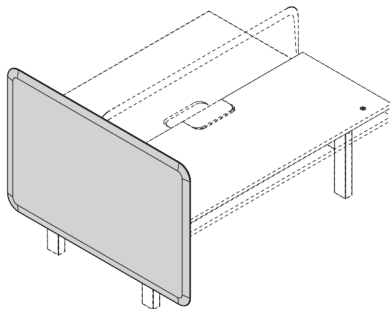
Screen panel for single desk



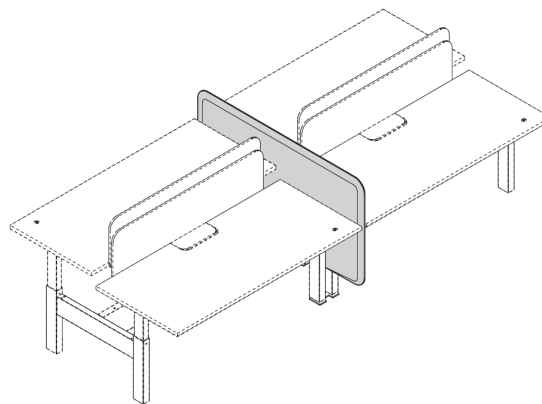
Fixed screen panels for benches



Couple of height adjustable screen panels for benches

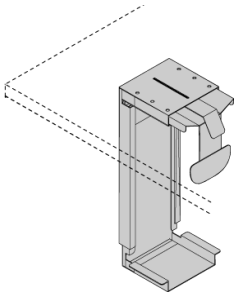


End screen panel in fabric for benches

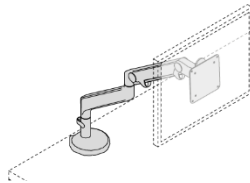


Side screen panel in fabric for benches

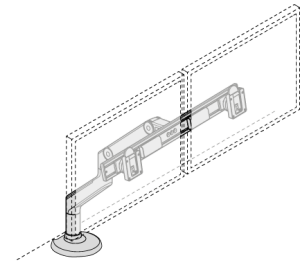
# ACCESSORIES



CPU holder with extensible support



Single monitor holder



holder

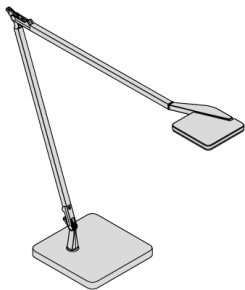
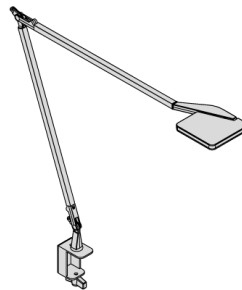
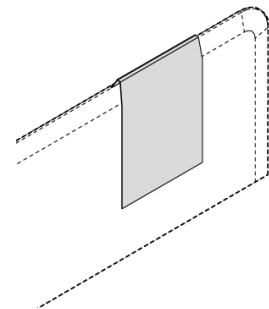


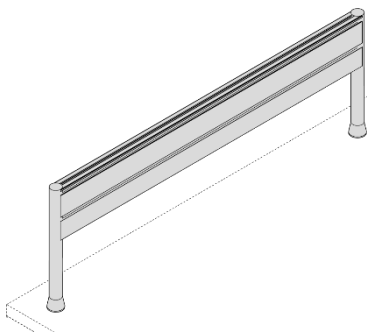
Table lamp



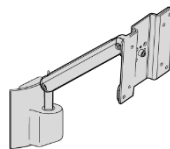
Clamp lamp



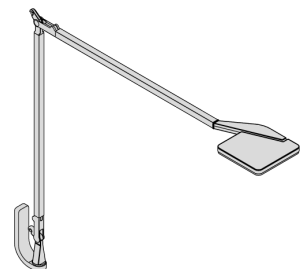
Whiteboard for screen panel



Accessory bar

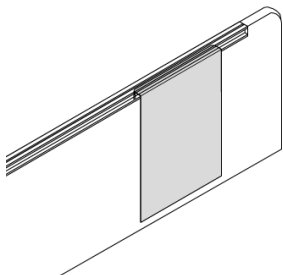


Monitor holder for bar

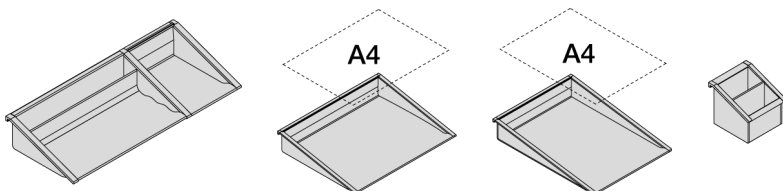


LED lamp for bar

# ACCESSORIES



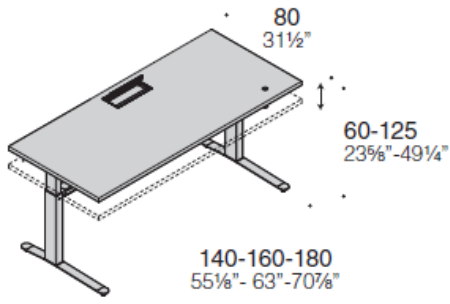
Whiteboard for screen panel with aluminium frame



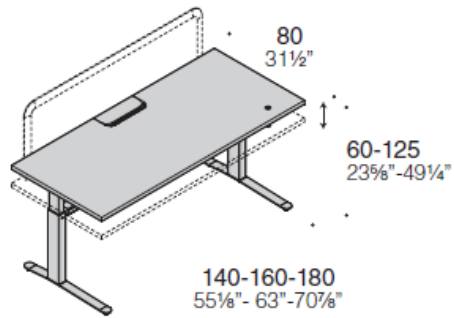
Accessories for bar



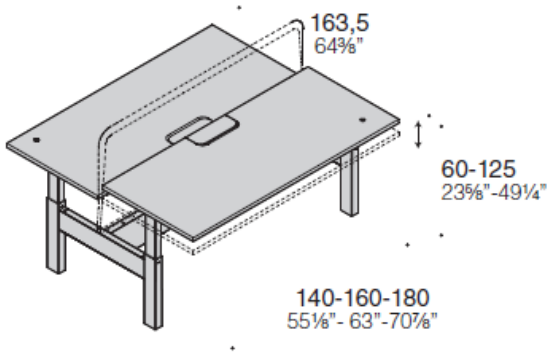
# DIMENSIONS



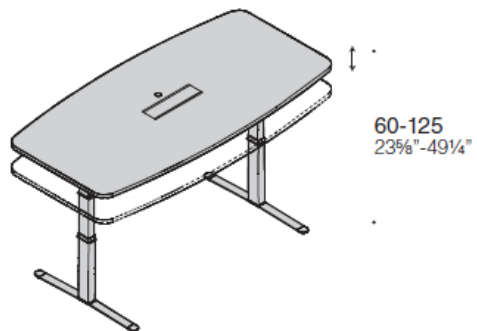
Single desk with cornice top access and thermoformed cable tray



Single desk fitted to screen panel, with pivot top access and net cable tray



2 seater bench with pivot top access and cable trays



Executive/ meeting desk with double-face top access and cable trays



Joint + Evo HP – 2 seater benches



Joint + Evo HP – single desks





Joint + Evo HP – screen panels



Joint + Evo HP – 6 seater benches



## **HEADQUARTER**

Estel Group srl  
Via Santa Rosa 70  
36016 Thiene (VI) – Italy  
Tel. +39 0445 389611  
Fax +39 0445 808801  
[www.estel.com](http://www.estel.com)

The information shown in this document is based on the latest published price lists. The Company reserves the right to modify the products without prior notice.

**ESTEL rev. 03\_07/2019**

---