

Plombier

Design by Estel R&D

Plombier table with an antique flavor, an ideal ambivalent product both in offices and in living areas. In this model, structural simplicity enhances the strong thickness of the top.

The hollow structure of the legs allows the passage of the cables elegant and discreet, allowing you to feed the wooden table top.



TECHNICAL FEATURES



Tops

Tops in Veneer or Vintage Oak worked on planking.

Veneer: Natural Oak, Black stained Oak, Color White Fir or Vintage Oak wooden plank.

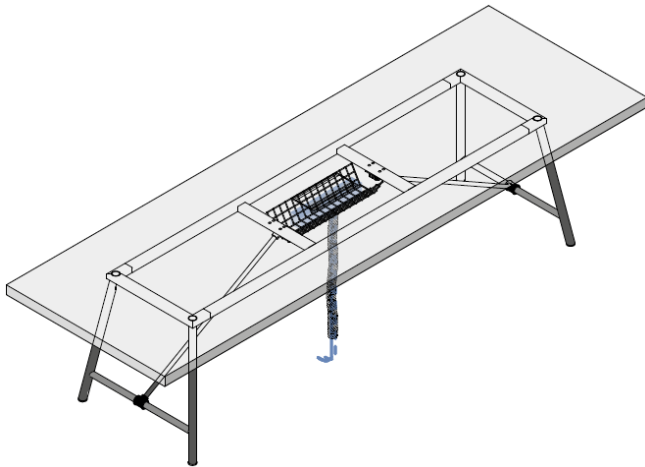
Squared top th. 75 mm (3") for rectangular table.

Top with increasing thickness from 15 mm (5/8") to 31 mm (1"1/4) for round and square table.

Basement

Tubular elements Matt Carbon Glacé power coated.

ELECTRIFICATION



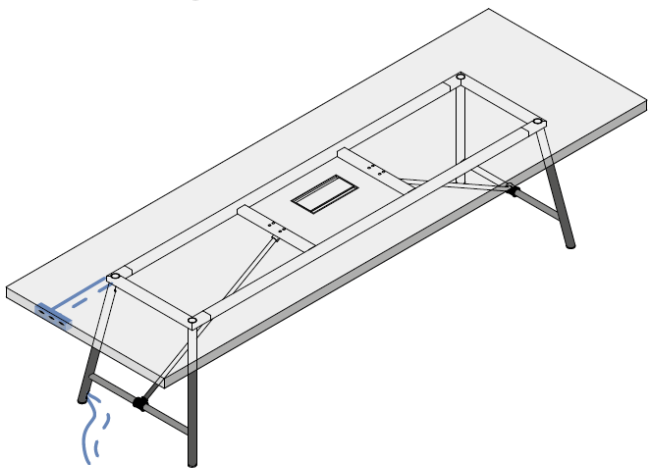
Top access

The hollow structure of the legs also allows an elegant and discreet passage of the cables, allowing you to feed the wooden table top, usable through a top access.

Top access power strips

Type 1: including free connector for 220V power supply with interlock.

Type 4: including free connector for 220V power supply with interlock.



Power cord

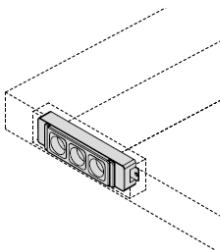
Power cable H05 W-F with Schuko plug and GST 18-3 socket.

Short sockets

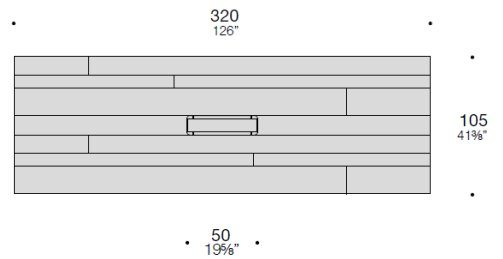
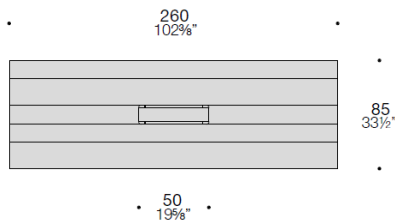
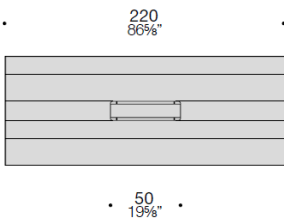
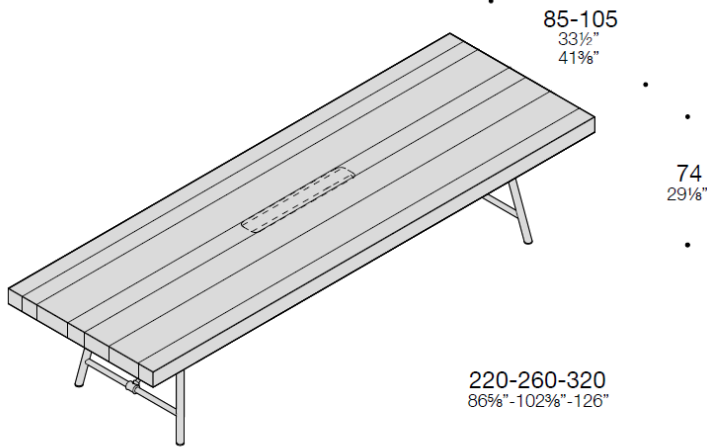
Only a power strip recessed on one short side can be provided: -

- Type 5
- Type 17

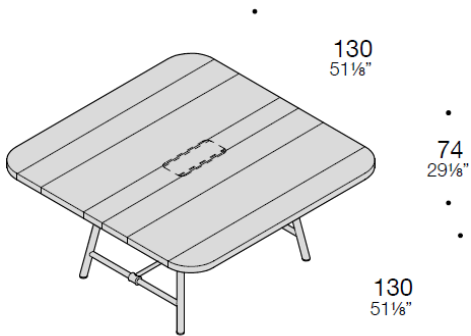
Multi-sockets not available in Vintage Oak finish tables.



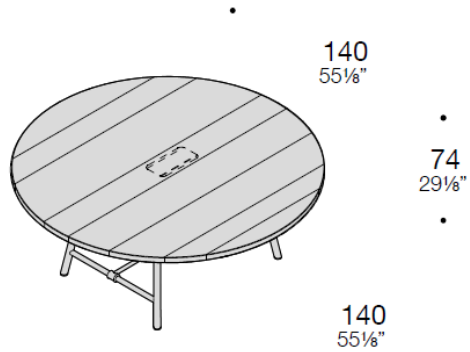
DIMENSIONS



Rectangular table



Square table



Rounded table



Rectangular table in Vintage Oak wooden plank with base in Matt Carbon Glacé power coated metal.



Rectangular table in Natural Oak worked on planking.



Rectangular table in Vintage Oak wooden plank.



HEADQUARTER

Estel Group srl
Via Santa Rosa 70
36016 Thiene (VI) – Italy
Tel. +39 0445 389611
Fax +39 0445 808801
www.estel.com

The information shown is based on the latest published price lists. Estel reserves the right to make any necessary changes to the products shown at any time without notice.

ESTEL rev. 03_11/2019
