

DESK SYSTEM

The distinctive element of “More” desk system is represented by its iconic structure, composed by metal legs joining horizontal aluminum profiles with a rounded corner detail. Countertops are surrounded by the perimetral metal profiles; these are available in various finishes and they also can have wide dimensions (up to 6 meters of length). “More” is a collection with eclectic features that make it suitable for the Office furniture, for meeting tables, for h110 counters, for Coffice, and also for Home furniture. Several accessories are available: top access, accessories bar, monitor arms, screen panels, vertical cable holder, cable trays and whiteboards.

TECHNICAL FEATURES

Countertop: available in melamine finish, Fenix laminate, Wood veneer, glass and ceramic. Thickness: 22 mm.

Countertop Profiles: perimetral profiles are in extruded aluminum, painted with epoxy powder coating or in Luxury metal; they are solidly connected to the legs and create a independent supporting structure .

Legs: metal legs painted with epoxy powder coating or in Luxury metal, with adjustment foot.

Top Access «Cornice»: available for single desk;

Equipped bar with pair of flips : It is available as standard equipment for the benches.

Double-sided Top Access : standard for meeting tables.

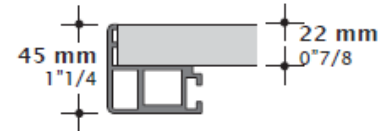
Screen panels: available in fabric and/or with integrated accessories bar in aluminum.

Modesty Panel: available for single desk , in melamine, eco-friendly leather «Time» or wood veneer.

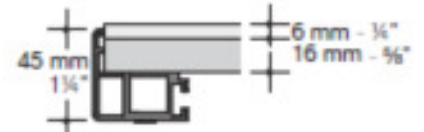
Return Desk: available for single desk;

Return Desk bases: available in Melamine or Sablè Lacquered finish.

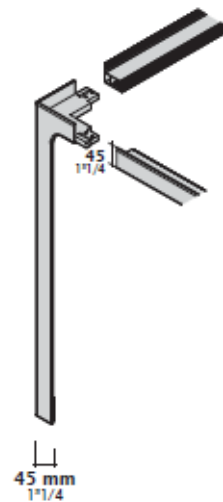
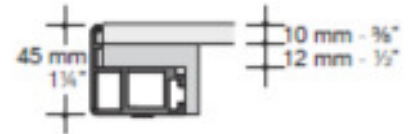
Melamine,
Fenix Laminate,
Wood veneer
countertops.



Etched glass,
Back-painted glass,
Ceramic
countertops



Clear Glass
countertops



Leg-Structure
junction

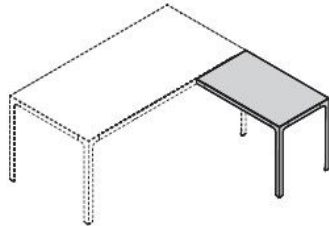


Single Desk



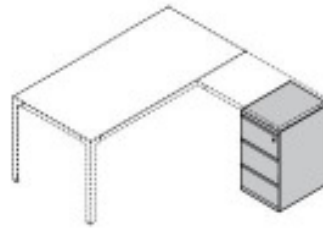
L 120 x W 80 X H 74 cm
 L 140 x W 80 X H 74 cm
 L 160 x W 80 X H 74 cm
 L 180 x W 80 X H 74 cm
 L 200 x W 80 X H 74 cm

Return desk for single desk

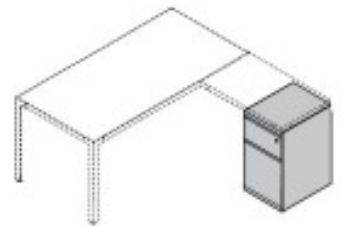


L 80 x W 60 X H 74 cm
 L 100 x W 60 X H 74 cm

Return desk base with drawers

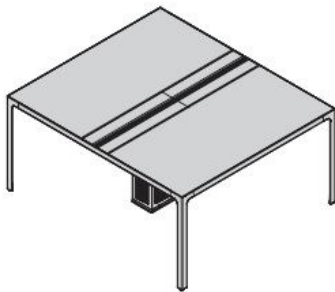


L 42 x W 60 X H 66 cm
 Three drawers



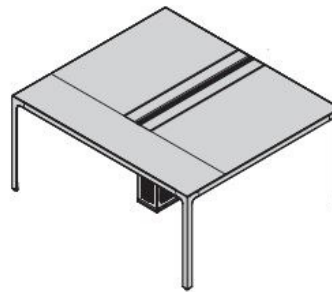
L 42 x W 60 X H 66 cm
 drawer + filing drawer

Bench 2 workplaces



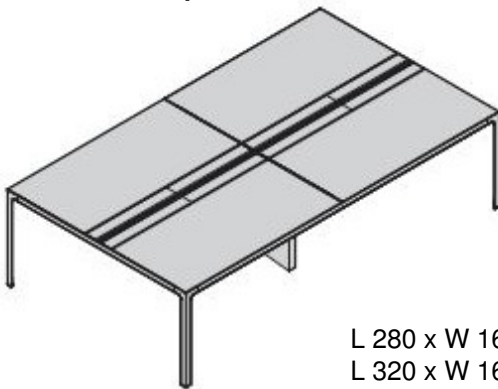
L 140 x W 160 X H 74 cm
 L 160 x W 160 X H 74 cm
 L 180 x W 160 X H 74 cm
 L 200 x W 160 X H 74 cm

Bench 2 workplaces, with 40 cm terminal top



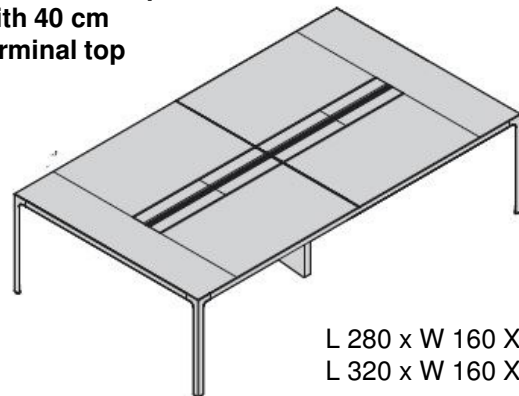
L 140 x W 160 X H 74 cm
 L 160 x W 160 X H 74 cm
 L 180 x W 160 X H 74 cm
 L 200 x W 160 X H 74 cm

Bench 4 workplaces



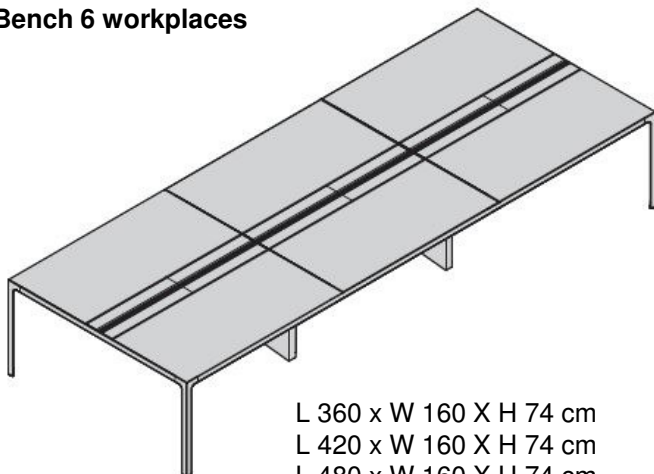
L 280 x W 160 X H 74 cm
 L 320 x W 160 X H 74 cm

Bench 4 workplaces, with 40 cm terminal top



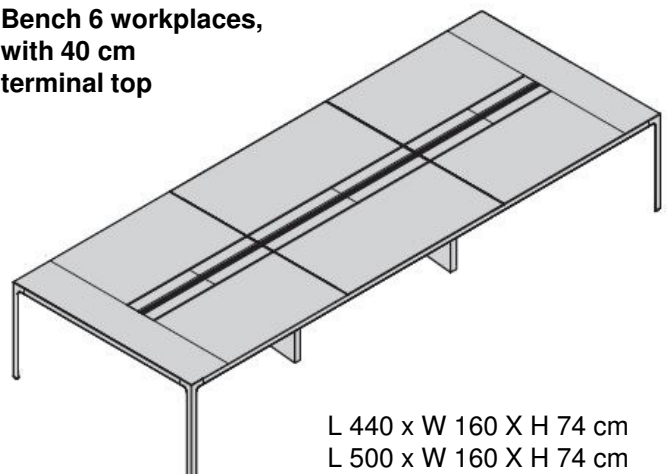
L 280 x W 160 X H 74 cm
 L 320 x W 160 X H 74 cm

Bench 6 workplaces



L 360 x W 160 X H 74 cm
 L 420 x W 160 X H 74 cm
 L 480 x W 160 X H 74 cm

Bench 6 workplaces, with 40 cm terminal top



L 440 x W 160 X H 74 cm
 L 500 x W 160 X H 74 cm

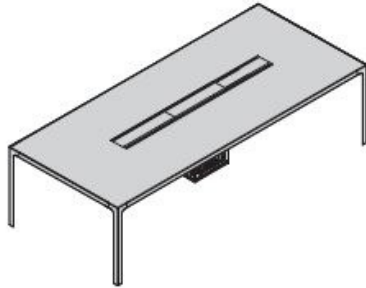
Meeting tables



120 x 120 X H 74 cm (*)
 140 x 140 X H 74 cm (*)
 160 x 160 X H 74 cm (*)
 200 x 200 X H 74 cm
 Countertop finishes:
 Melamine,
 Fenix laminate,
 Wood veneer.
 (*) without central column



300 x 120 X H 74 cm
 360 x 140 X H 74 cm
 Countertop finishes:
 Melamine,
 Fenix laminate,
 Wood veneer.

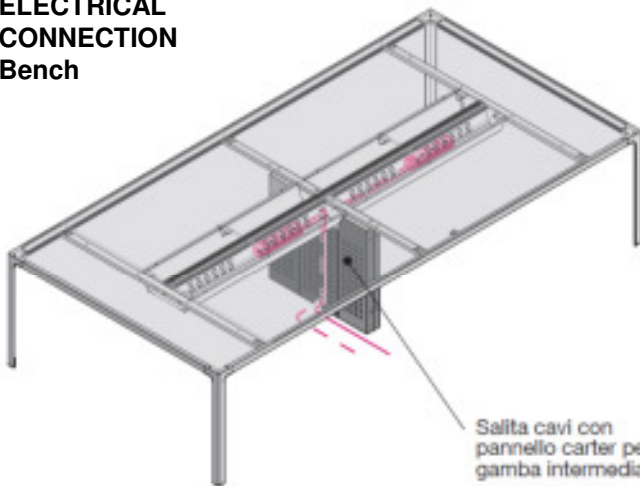


180 x 90 X H 74 cm
 240 x 100 X H 74 cm
 Countertop finishes:
 Melamine,
 Fenix laminate,
 Wood veneer.

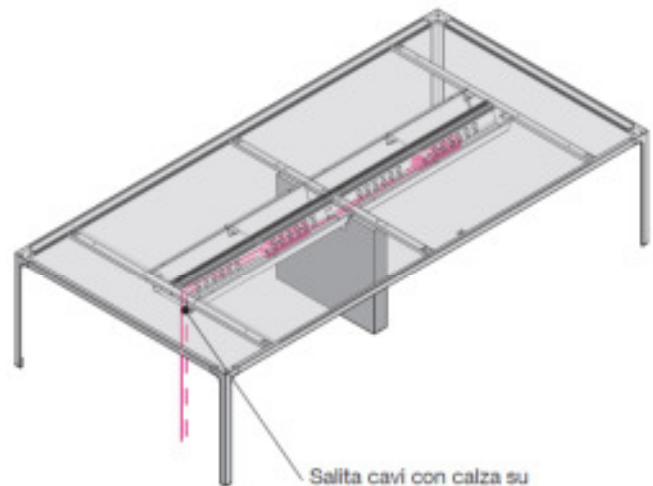


240 x 100 X H 74 cm
 280 x 120 X H 74 cm
 300 x 120 X H 74 cm
 360 x 140 X H 74 cm
 Countertop finishes:
 Etched, Back-painted
 glass, Ceramic

ELECTRICAL CONNECTION Bench

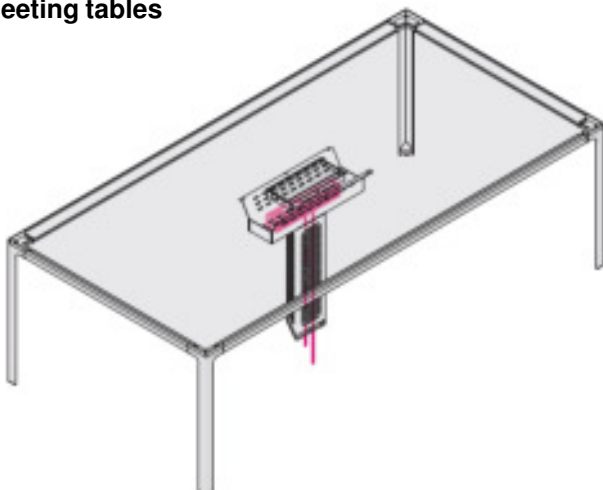


Salita cavi con pannello carter per gamba intermedia
 Intermediate leg cover for cable management

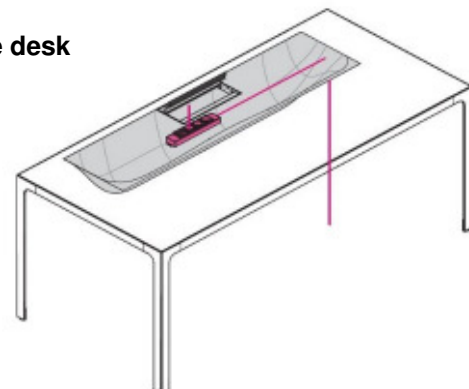


Salita cavi con calza su colonna senza carter
 Cable management tube

Meeting tables



Single desk



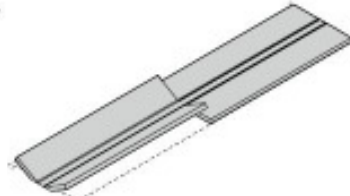
Electrification system for single desk is made of "Cornice" top access and thermoformed cable tray upholstered in fabric. The cable tray has also the function of modesty panel.

TOP ACCESS

«Cornice» Top Access
(Single desk)

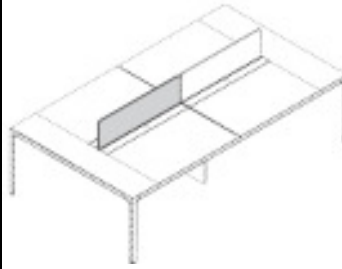


Double-side Top Access
(meeting table)

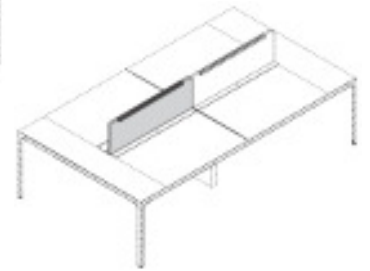


Equipment bar (Benches)

SCREEN PANELS



Upholstered
screen panels



Upholstered screen panels with
aluminium accessories bar

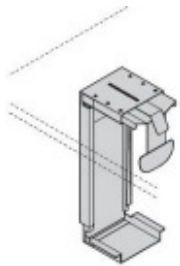
ACCESSORIES

A wide range of accessories is available to complete the equipment of the desks: top access, accessories bar, monitor arms, CPU holder, screen panels, vertical cable holder, cable trays, whiteboards.

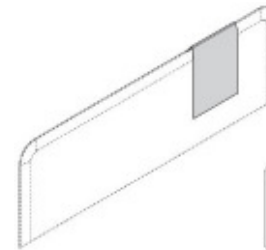
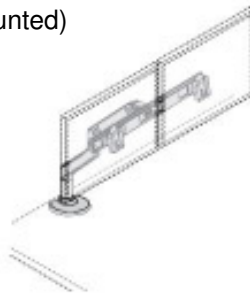
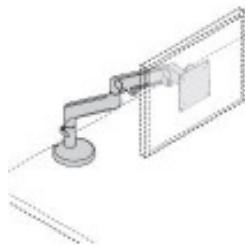


Side screen
dockable panels

Single Monitor Arm / Double Monitor arm
(desk mounted)



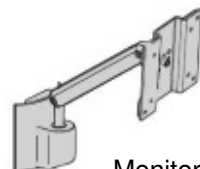
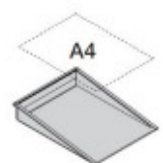
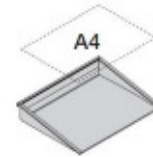
CPU Holder



Whiteboards



LED table lamp
(with base or clamp)



Monitor Arm
(for accessories bar)



LED table lamp
(for accessories bar)



Organizer
(for accessories bar)