

Joint + Evo HP

Design by Estel R&D

Joint is a storage unit system - with a width of 33 cm (13"), depth of 80 (31½ ") / 163.5 cm (64¾ ") and height 126 cm (49⅝ ") – developed to be integrated with "Evo HP" desks. All workstations feature Sit&Stand worktop (lifting range 60 (23⅝ ") - 125 cm (49¼ ") from floor) and integrated storage unit, closed in the undertop part, and open in the upper part: in this way functionality is joined with a high level of privacy.

Side storage units feature a lower compartment with many customizable solutions: internal drawer with filing cabinet; drawer with CPU or free compartment; drawer and hinged door with free compartment; drawer, hinged door with EcoBox and Chair Box Vallet.



TECHNICAL FEATURES



Tops

G90 MELAMINE

Tops are made in 30 mm thick (1 1/8 ") chipboard panels with antiscratch and anti-reflect melamine surfaces; tops are edged in ABS.

ERGO EDGE (ONLY OPERATOR SIDE) MELAMINE ON MDF

Tops in MDF, th. mm 30, with melamine surface; wooden edges with transparent or white surface coating treatment; countertops feature an elegant inclined thin cut on operator side.



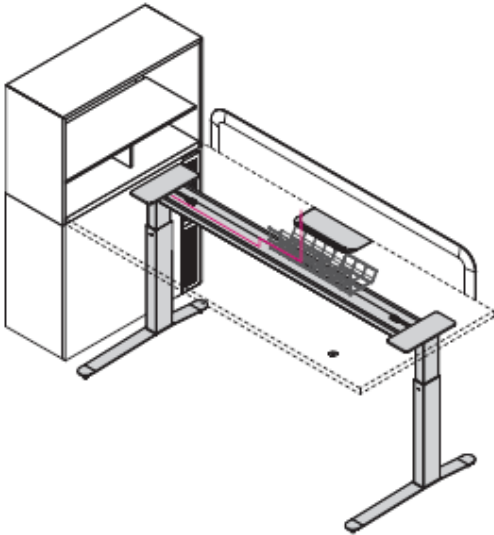
Structure

Bases in bended metal sheet, equipped with height adjustable feet. Central rectangular-section metal beam. Tubular columns with a three-stages lifting structure in metal.

Desk height adjustment (sit&stand)

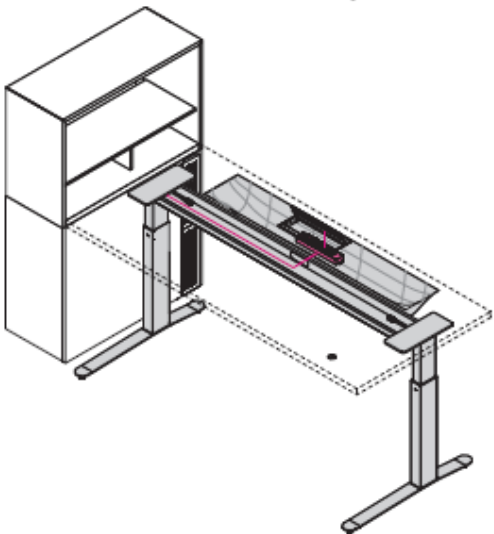
The floor lifting system allows the user to switch from a sitting to a standing position. The latest generation lifting columns are surprisingly silent and fast, and are controlled by a motorized remote unit with lifting anti-crashing safety system. The activation button is integrated on the top of the desk.

ELECTRIFICATION



Single desk with screen panel

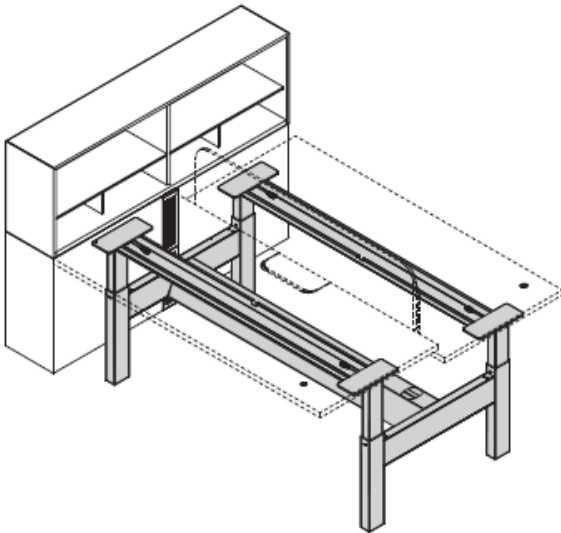
The electrification of the desk is guaranteed by pivot top access placed on the worktop surface, allowing an easy access to the grid where sockets are located.



Single desk without screen panel

The electrification of the desk is guaranteed by cornice top access placed on the worktop surface and thermoformed cable tray upholstered in fabric. The cable tray has also the function of modesty panel.

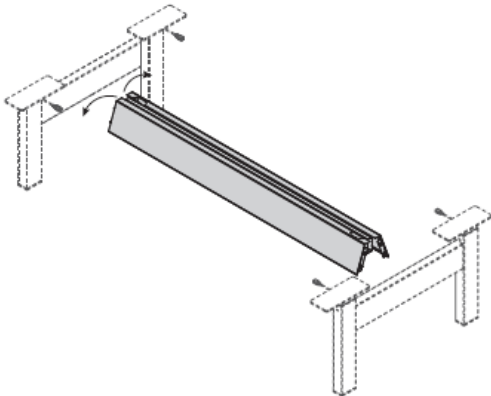
ELECTRIFICATION



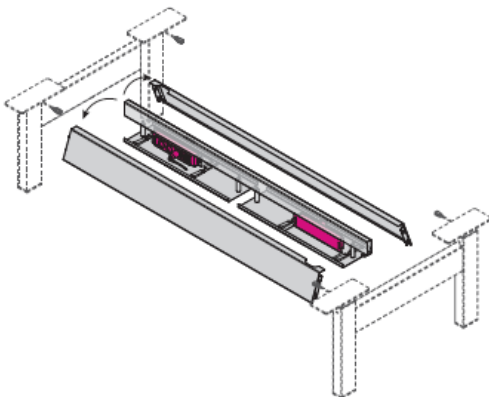
Bench

Bases in bended metal sheet, equipped with height adjustable feet. Central rectangular-section metal beam. Tubular columns with a three-stages lifting structure in metal.

In the bench systems, instead, the cable passage is realized through a special mesh-tray in steel, housing all the sockets above a metal casing.



Electrification detail of cable tray with cover - closed

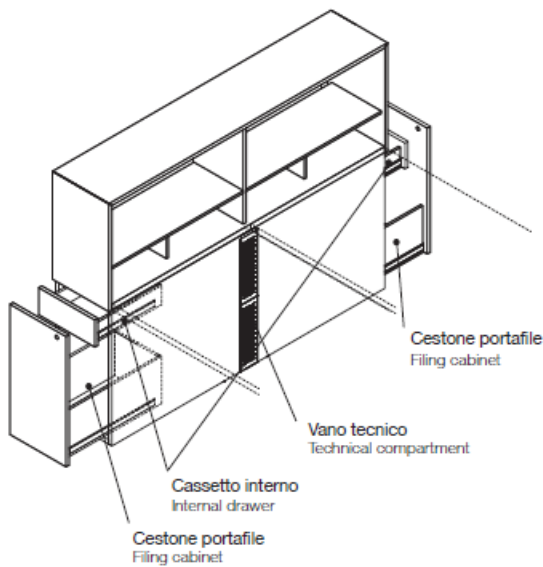


Electrification detail of cable tray with cover - open

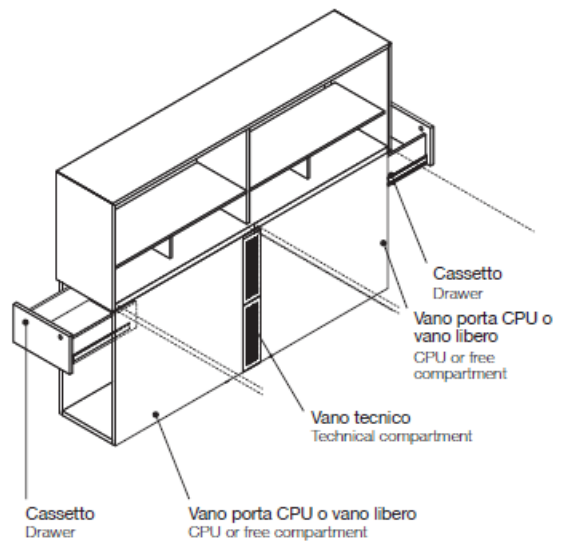
TECHNICAL FEATURES

Bases

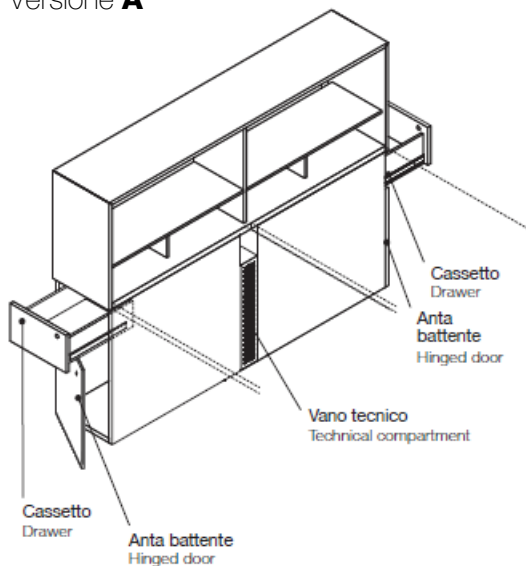
Joint with internal drawer and filing cabinet (A); drawer and CPU or free compartment (B); drawer and hinged door with free compartment (C); drawer, door with EcoBox and Chair Box Vallet (D).



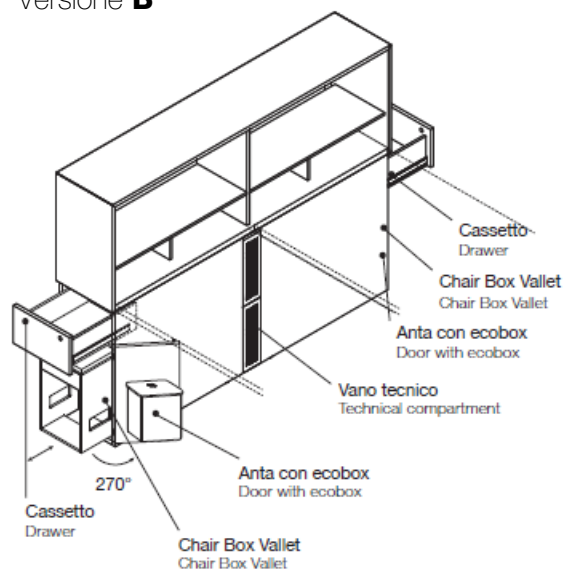
Versione **A**



Versione **B**

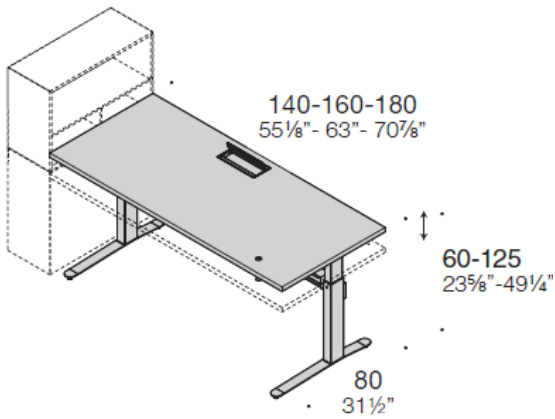


Versione **C**

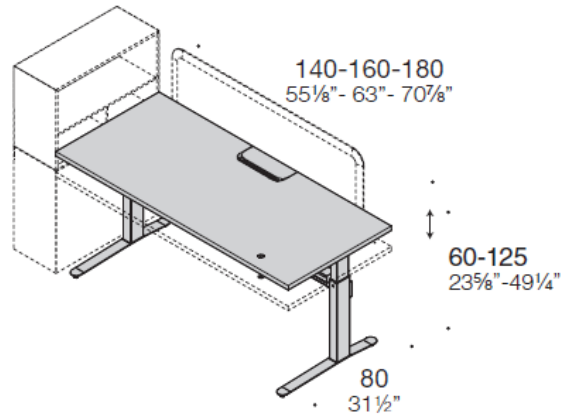


Versione **D**

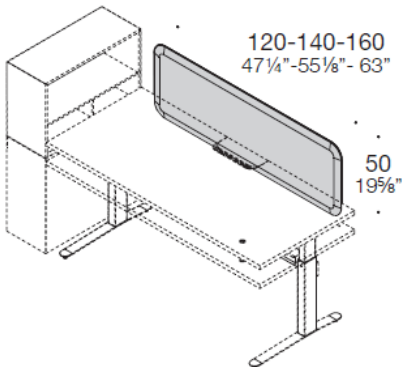
DIMENSIONS



Single desk for Joint base with cornice top access and thermoformed cable tray

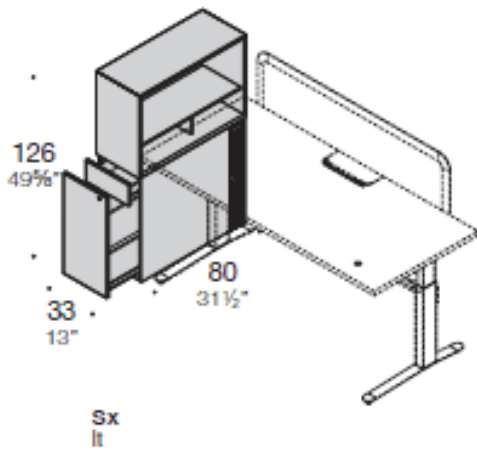


Single desk for Joint base fitted to screen panel, with pivot top access and net cable tray

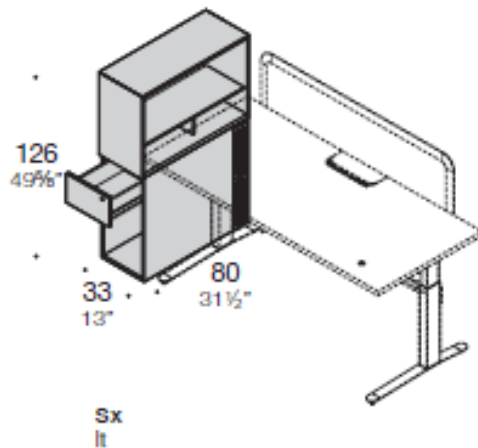


Screen panel for single desk

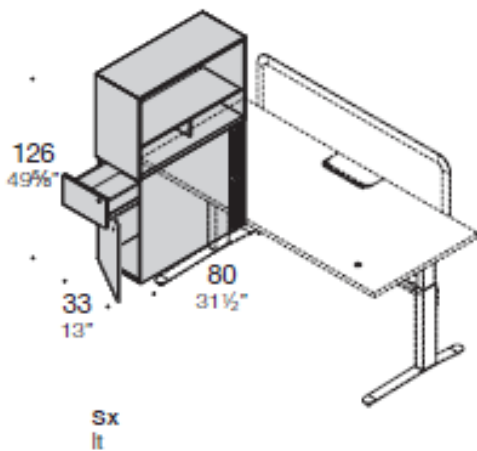
DIMENSIONS



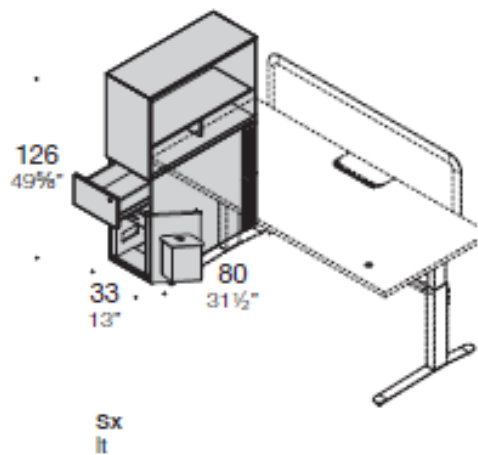
Joint base for single desk with internal drawer and filing cabinet



Joint base for single desk with drawer and CPU or free compartment

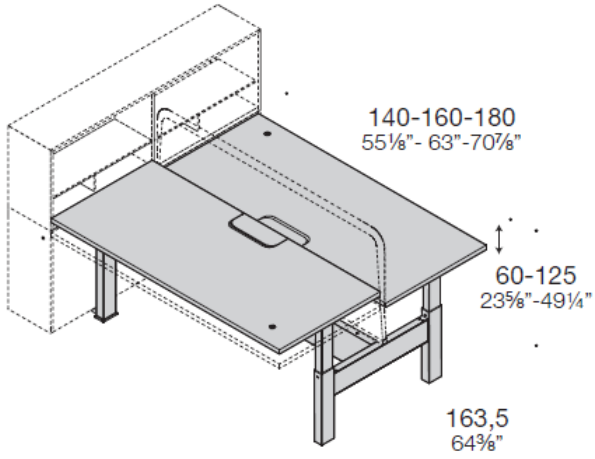


Joint base for single desk with drawer and hinged door with free compartment

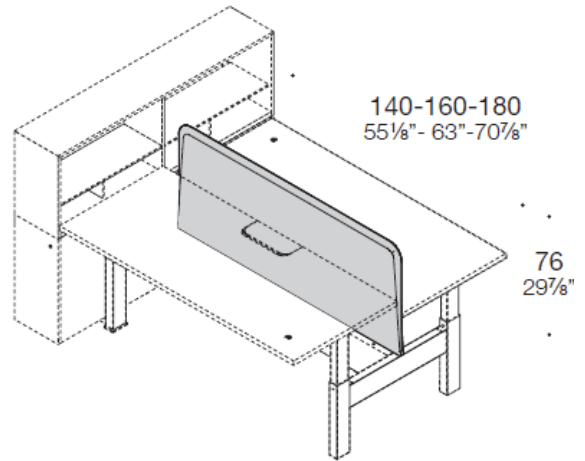


Joint base for single desk with drawer, door with ecobox and Chair Box Villet

DIMENSIONS

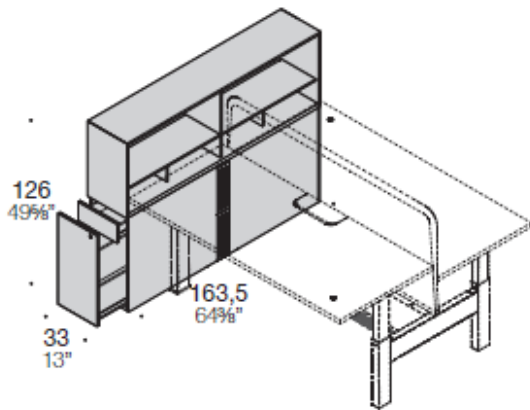


2 seater bench with pivot top access and cable trays

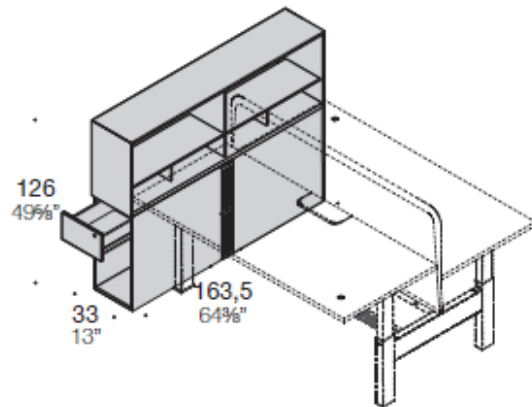


Fixed screen panel

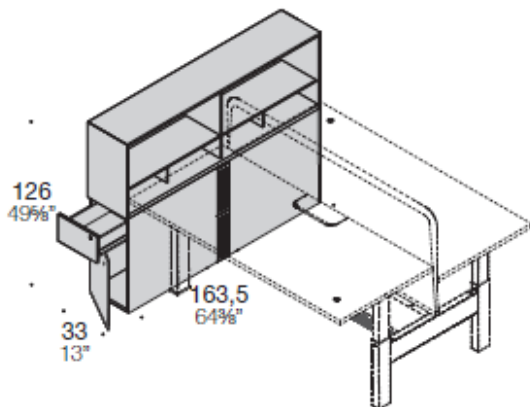
DIMENSIONS



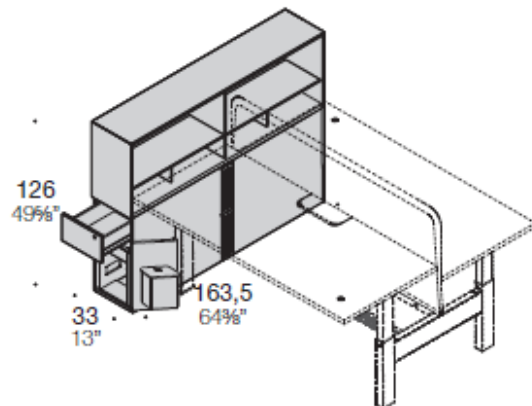
Joint base for bench with internal drawer and filing cabinet



Joint base for bench with drawer and CPU or free compartment

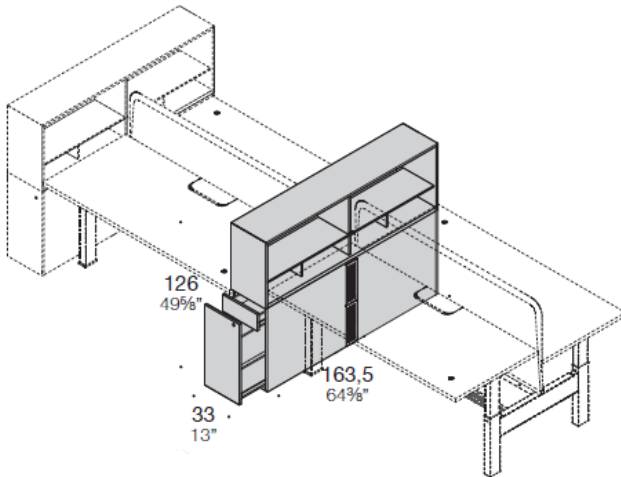


Joint base for bench with drawer and hinged door with free compartment

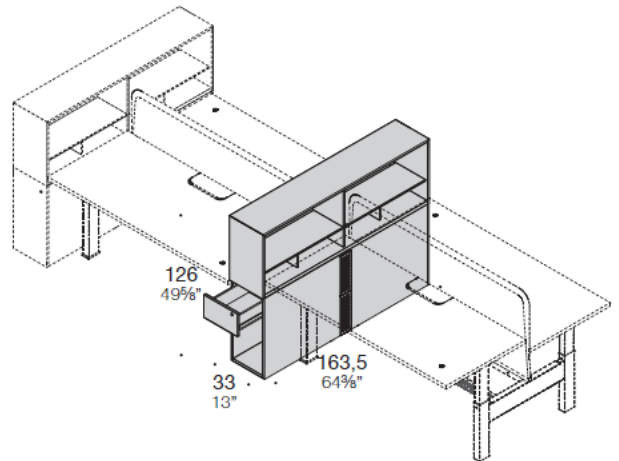


Joint base for bench with drawer, door with ecobox and Chair Box Vallet

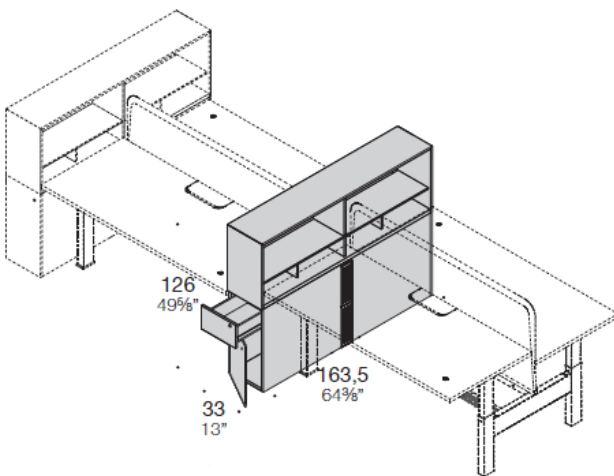
DIMENSIONS



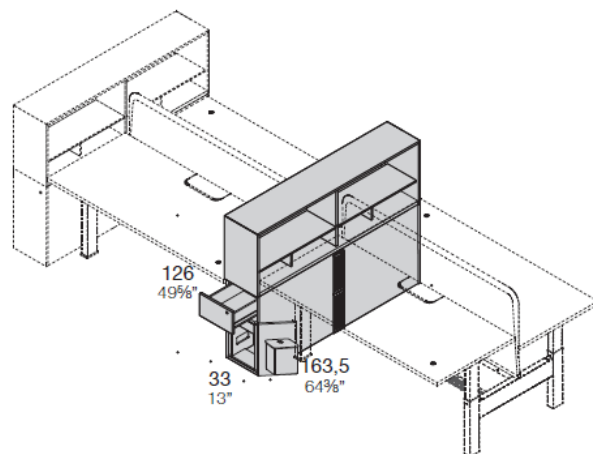
Joint intermediate base for bench with internal drawer and filing cabinet



Joint intermediate base for bench with drawer and CPU or free compartment

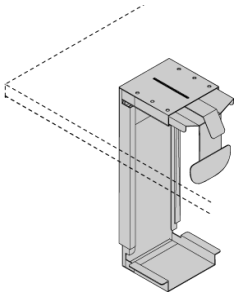


Joint intermediate base for bench with drawer and hinged door with free compartment

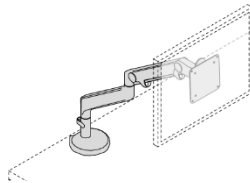


Joint intermediate base for bench with drawer, door with ecobox and Chair Box Vallet

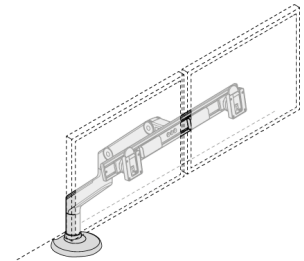
ACCESSORIES



CPU holder with extensible support



Single monitor holder



holder

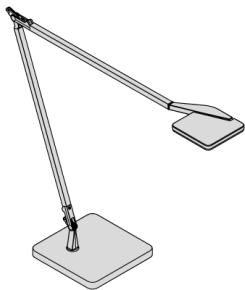
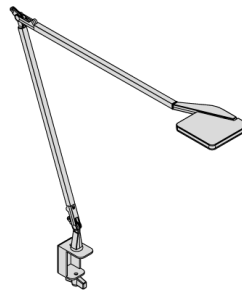
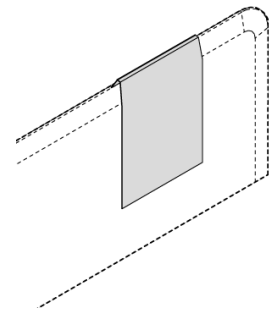


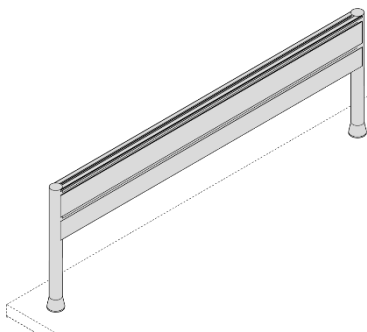
Table lamp



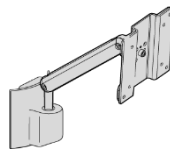
Clamp lamp



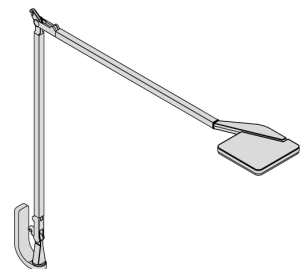
Whiteboard for screen panel



Accessory bar

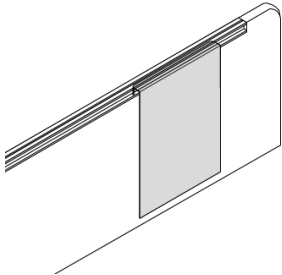


Monitor holder for bar

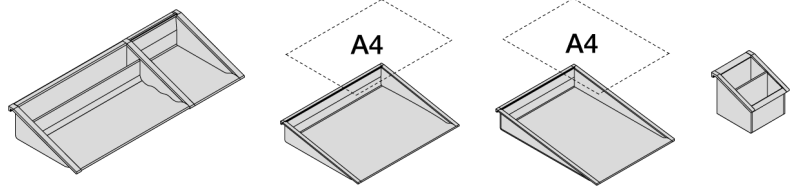


LED lamp for bar

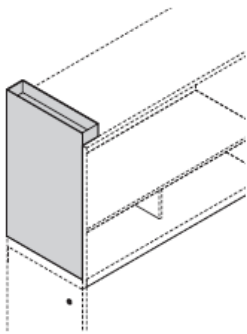
ACCESSORIES



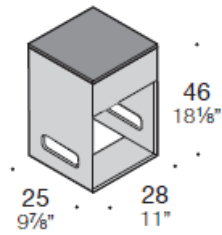
Whiteboard for screen panel with aluminium frame



Accessories for bar

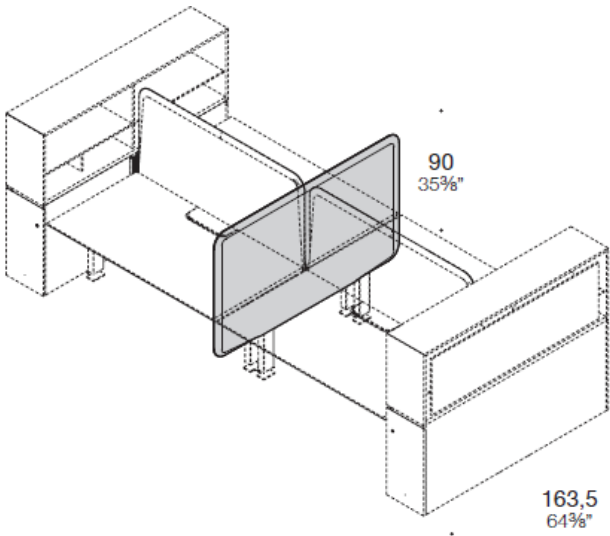


Whiteboard with pen holder for Joint

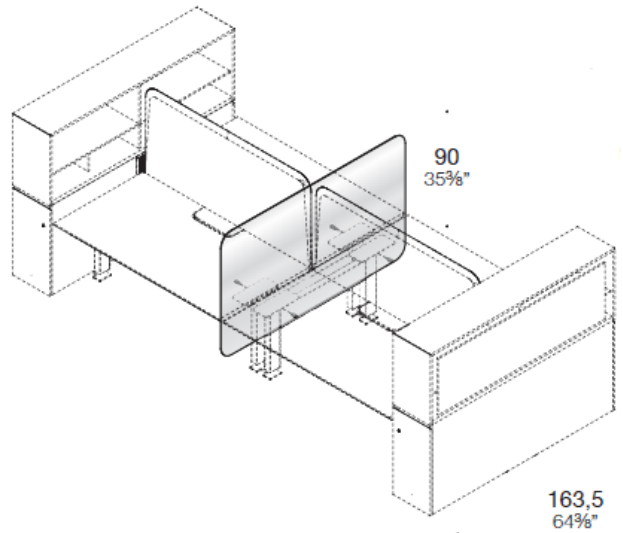


Chair Box Vallet - to be placed inside Lockers, Top Fly or Joint

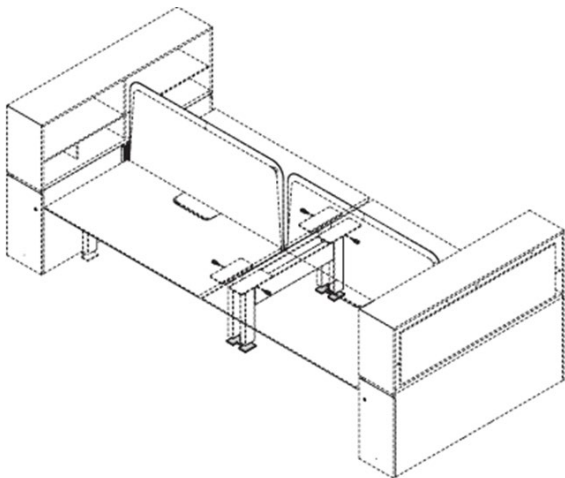
ACCESSORIES



Side screen panel in fabric



Glazed side screen panel



Connection kit



Joint + Evo HP – 2 seater bench



Joint + Evo HP – 6 seater bench



Joint + Evo HP – 6 seater bench



HEADQUARTER

Estel Group srl
Via Santa Rosa 70
36016 Thiene (VI) – Italy
Tel. +39 0445 389611
Fax +39 0445 808801
www.estel.com

The information shown in this document is based on the latest published price lists. The Company reserves the right to modify the products without prior notice.

ESTEL rev. 03_07/2019
