

# Evolution

Design by Estel R&D

The “Evolution” range features various solution of integration between height-adjustable desks and side storage units (always with an height of 50 cm - 19 $\frac{5}{8}$ ”), worktops have a thickness of 30 mm (1 $\frac{1}{8}$ ”) and can be lifted from 60 (23 $\frac{5}{8}$ ”) to 125 cm (49 $\frac{1}{4}$ ”) from f.f.l., with the innovative electronic lifting system. Worktops are available with G90 melamine finish or in the elegant Ergo version, in MDF with melamine finish and visible core, with transparent protective coating.

## Evolution 33

Storage units (depth 33 cm - 13”) feature different set-up: drawer+fi ing cabinet; two drawers; hinged door cabinet; door cabinet with Ecobox and Chair Box Valet. Single desk or benches are available.

## Evolution 50

Storage units (depth 50 cm (19 $\frac{5}{8}$ ”) – length 267 (105 $\frac{1}{8}$ ”) cm) work as basement for 2-seat benches and feature the internal space with different layouts: drawers, sliding door cabinets, open cabinets. For all typologies, various screen panel types are available, (dividers, terminal, in glass or upholstered).



## TECHNICAL FEATURES



### Tops

#### G90 MELAMINE

Tops are made in 30 mm thick (1 $\frac{1}{8}$  ") chipboard panels with antiscratch and anti-reflect melamine surfaces; tops are edged in ABS.

#### ERGO EDGE (ONLY OPERATOR SIDE) MELAMINE ON MDF

Tops in MDF, th. mm 30, with melamine surface; wooden edges with transparent or white surface coating treatment; rounded corners; countertops feature an elegant inclined thin cut on operator.



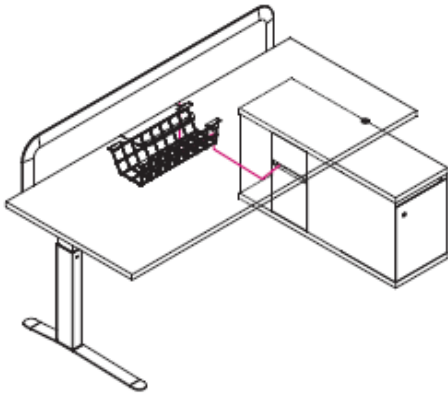
### Structure

Bases in bended metal sheet, equipped with height adjustable feet. Central rectangular-section metal beam. Tubular columns with a three-stages lifting structure in metal.

### Desk height adjustment (sit&stand)

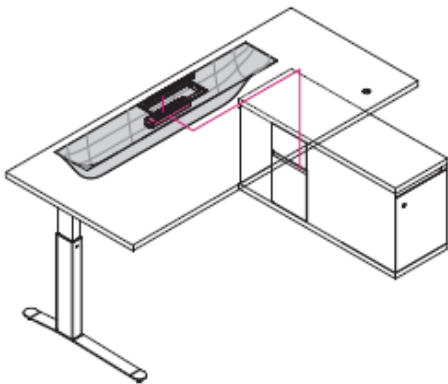
The floor lifting system allows the user to switch from a sitting to a standing position. The latest generation lifting columns are surprisingly silent and fast, and are controlled by a motorized remote unit with lifting anti-crashing safety system. The activation button is integrated on the top of the desk.

# ELECTRIFICATION



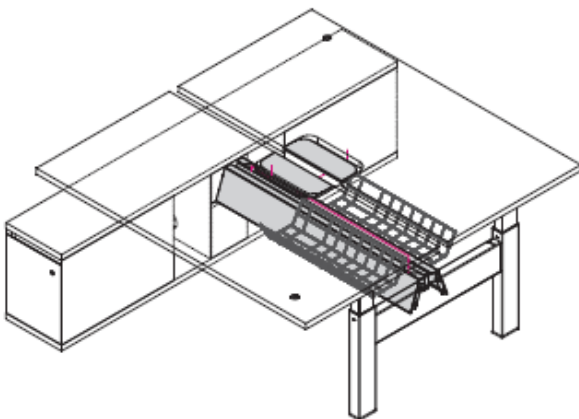
## Single desk with screen panel

The electrification of the desk is guaranteed by pivot top access placed on the worktop surface, allowing an easy access to the grid where sockets are located.



## Single desk without screen panel

The electrification of the desk is guaranteed by corice top access placed on the worktop surface and thermoformed cable tray upholstered in fabric. The cable tray has also the function of modesty panel.



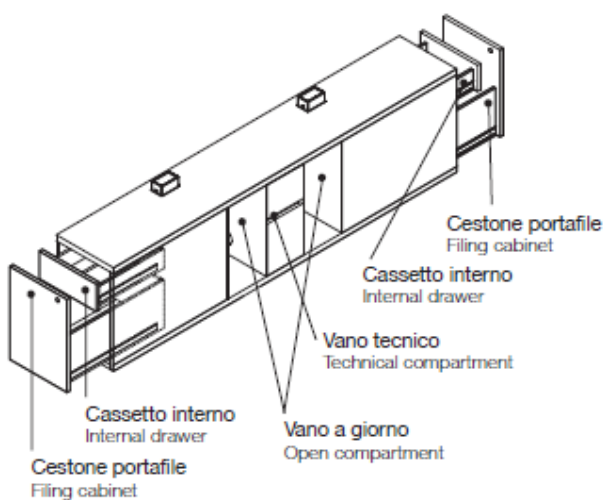
## Bench

In the bench systems, instead, the cable passage is realized through a special mesh-tray in steel, housing all the sockets above a metal casing.

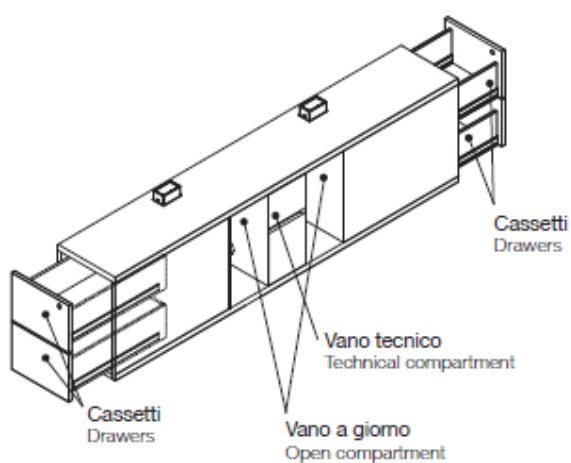
# TECHNICAL FEATURES

## Evolution 33 bases

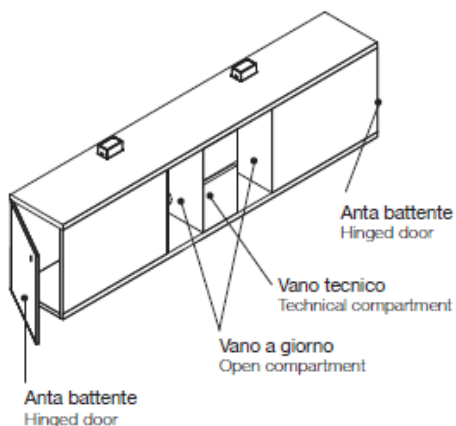
Base with internal drawer and filing cabinet (A); two drawers (B); hinged door (C); door with EcoBox and Chair Box Vallet (D).



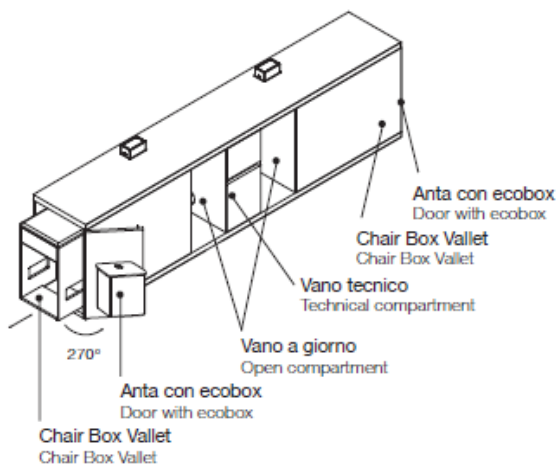
Version **A**



Version **B**



Version **C**

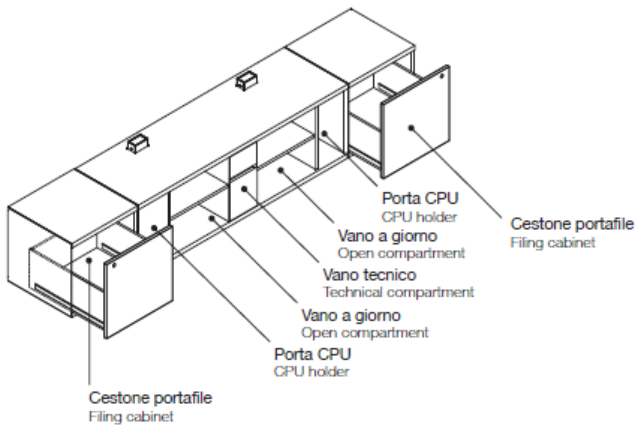


Version **D**

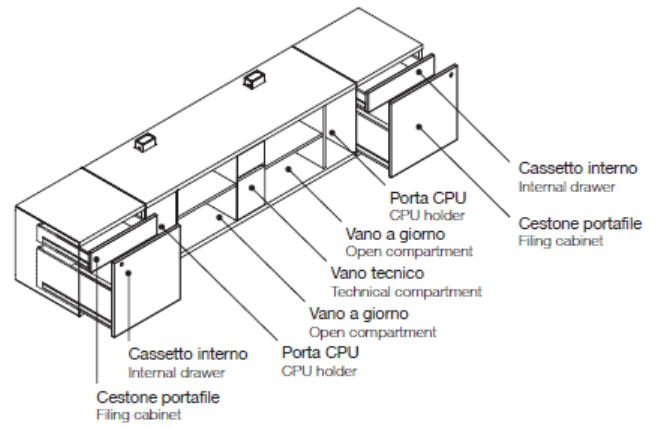
# TECHNICAL FEATURES

## Evolution 50 bases

Base with filing cabinet (A) and base with internal drawer and filing cabinet (B).

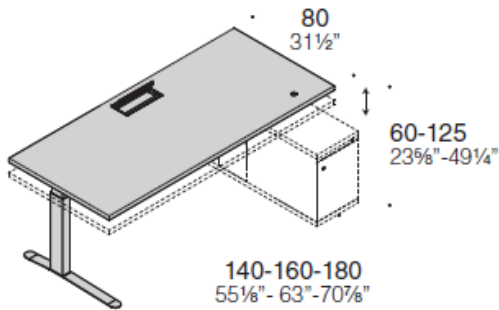


Version **A**



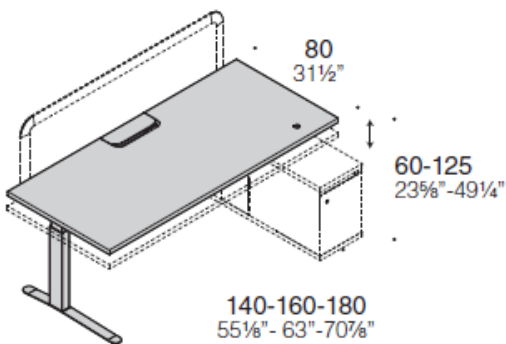
Version **B**

# DIMENSIONS



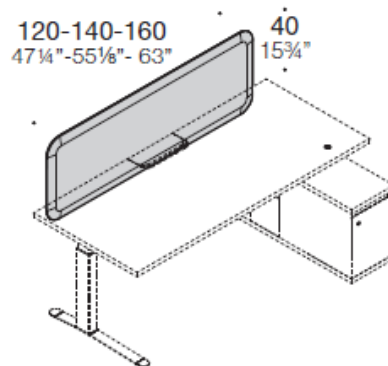
Dx  
Rt

Evolution 33- Single desk without frontal screen panel with cornice top access and thermoformed cable tray



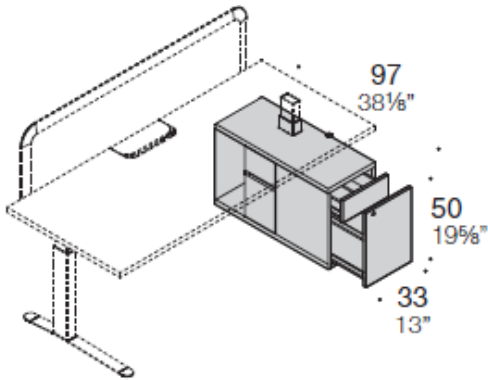
Dx  
Rt

Evolution 33 - Single desk fitted to screen panel, with pivot top access and net cable tray



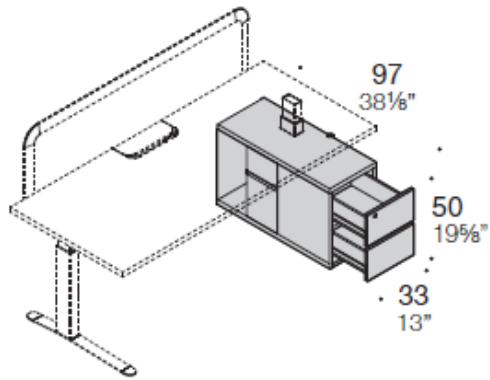
Evolution 33- frontal screen panel for single desk

# DIMENSIONS



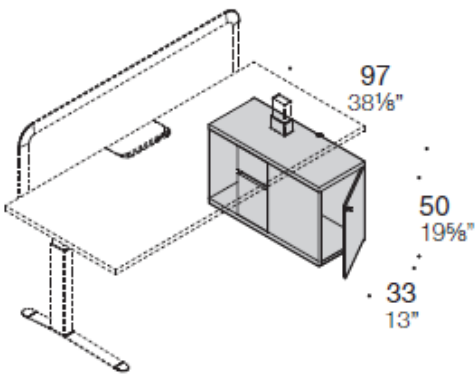
Dx  
Rt

Evolution 33 – End base for single desk fitted to screen panel with internal drawer and filing cabinet



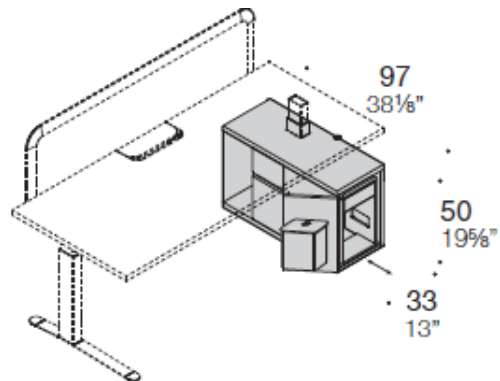
Dx  
Rt

Evolution 33 - End base for single desk fitted to screen panel with two drawers



Dx  
Rt

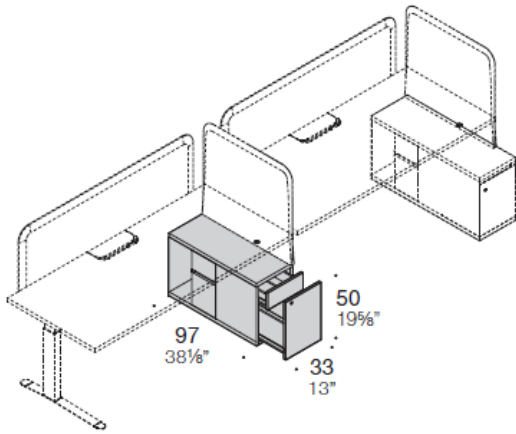
Evolution 33 - End base for single desk fitted to screen panel with hinged doors



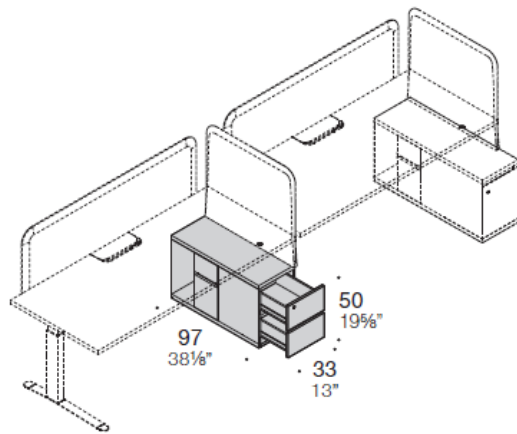
Dx  
Rt

Evolution 33 - End base for single desk fitted to screen panel with door with Ecobox and Chair Box Valet

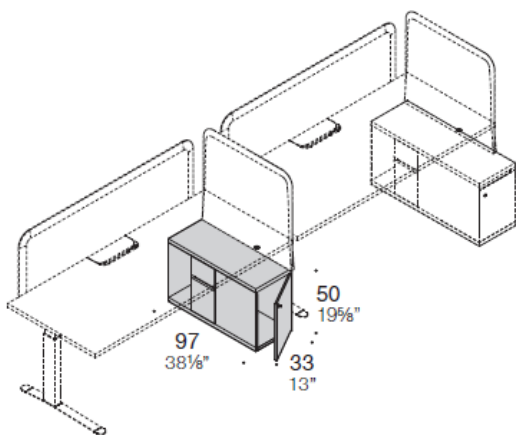
# DIMENSIONS



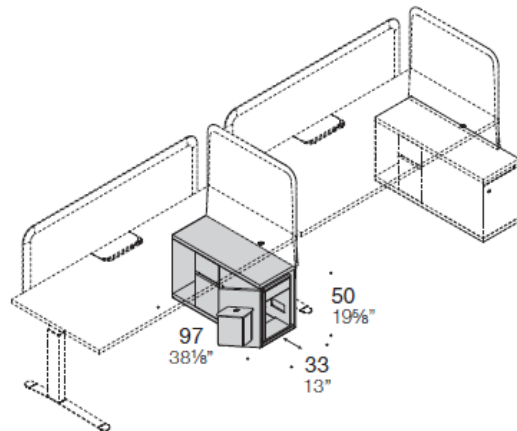
Evolution 33 – Intermediate base for single desk with internal drawer and filing cabinet



Evolution 33 - Intermediate base for single desk with two drawers



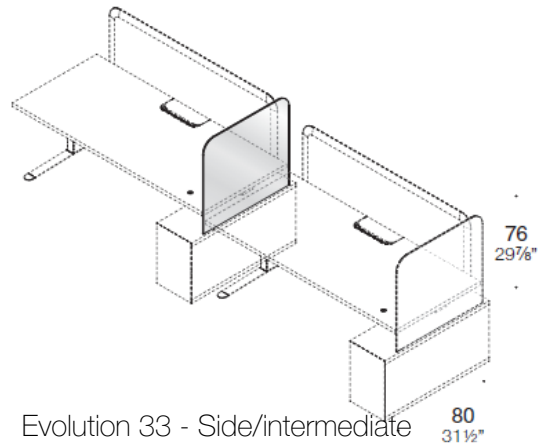
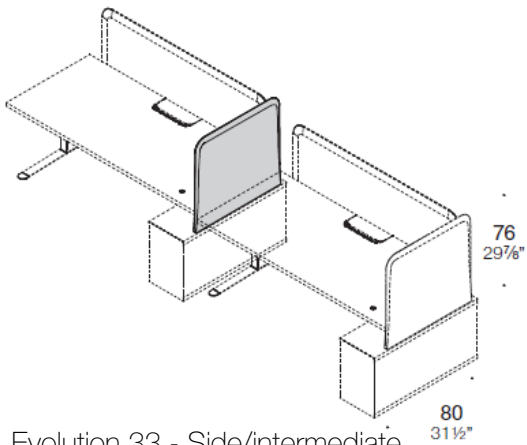
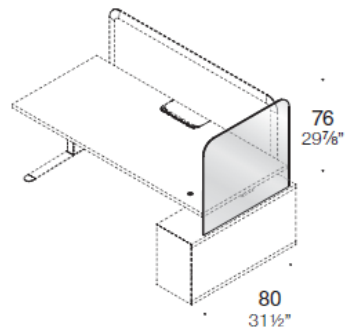
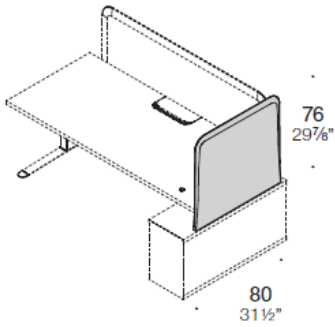
Evolution 33 - Intermediate base for single desk with hinged door



Evolution 33 - Intermediate base for single desk with door with ecobox and Chair Box Vallet

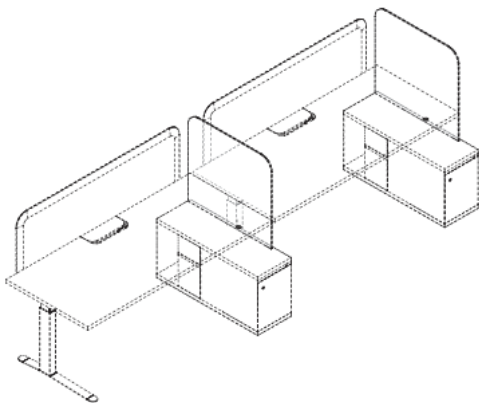


## DIMENSIONS



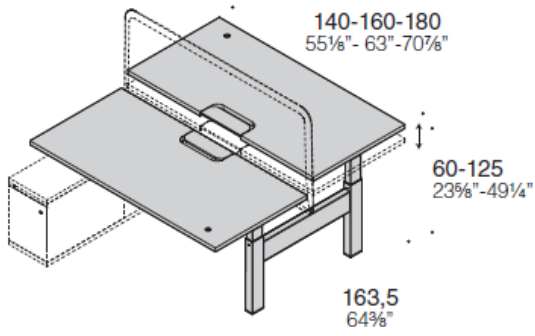
Evolution 33 - Side/intermediate panel in fabric for single desk

Evolution 33 - Side/intermediate panel in glass for single desk

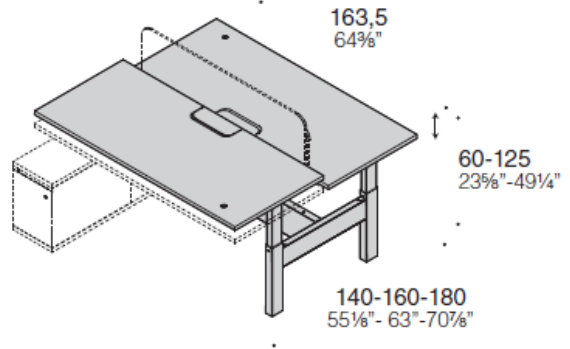


Evolution 33 - Connection kit for single desks

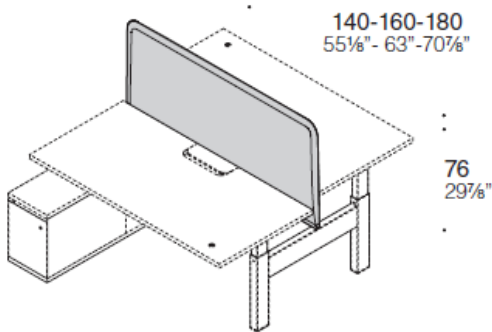
# DIMENSIONS



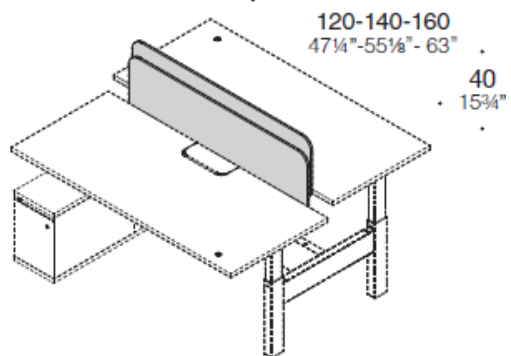
Evolution 33 - 2 seater bench with fixed screen panel, pivot top access and cable trays



Evolution 33 - 2 seater bench with height adjustable height, pivot top access and cable trays

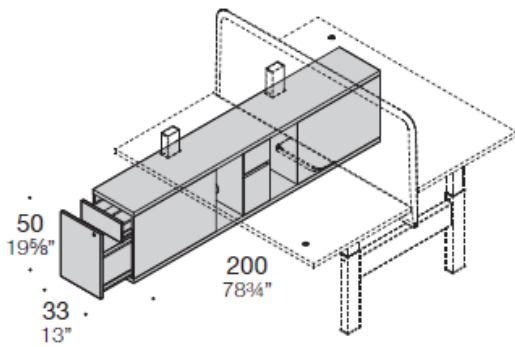


Evolution 33 - Fixed frontal screen panel

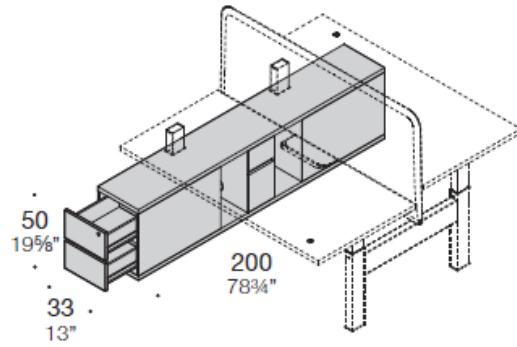


Evolution 33 - Couple of height adjustable screen panels

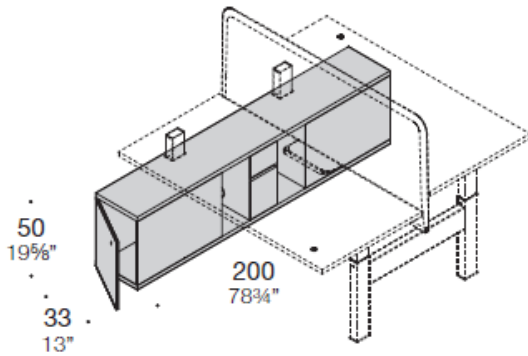
# DIMENSIONS



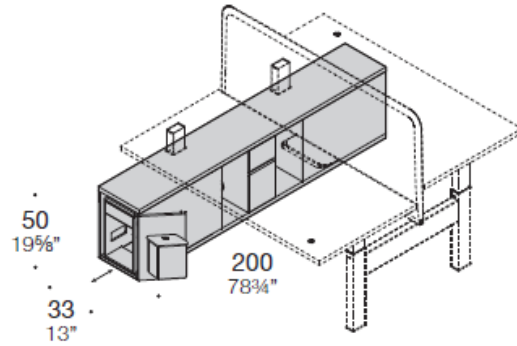
Evolution 33 – base for bench with internal drawer and filing cabinet



Evolution 33 - base for bench with two drawers

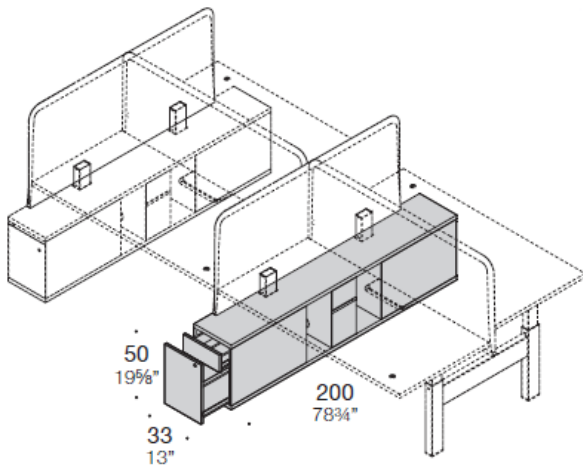


Evolution 33 - base for bench with hinged door

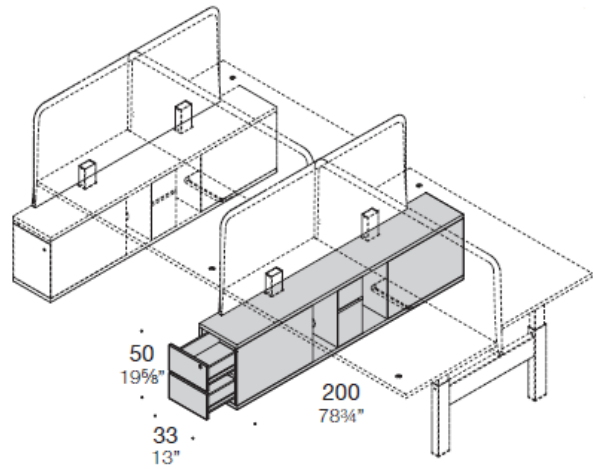


Evolution 33 - base for bench with door with ecobox and Chair Box Vallet

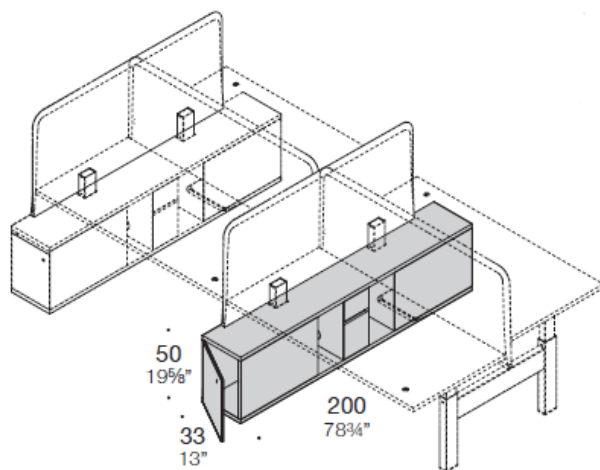
# DIMENSIONS



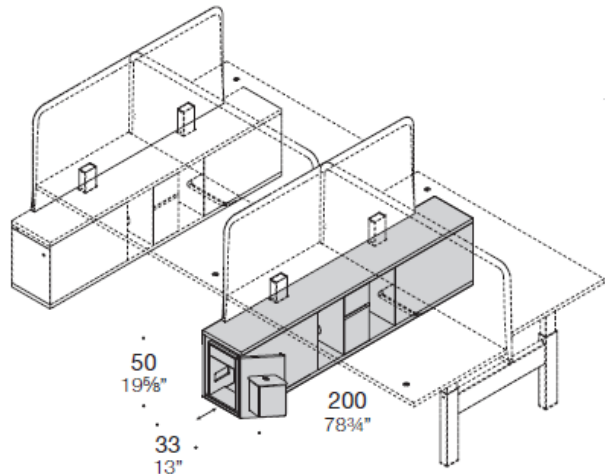
Evolution 33 – Base for bench with internal drawer and filing cabinet



Evolution 33 – Base for bench with two drawers

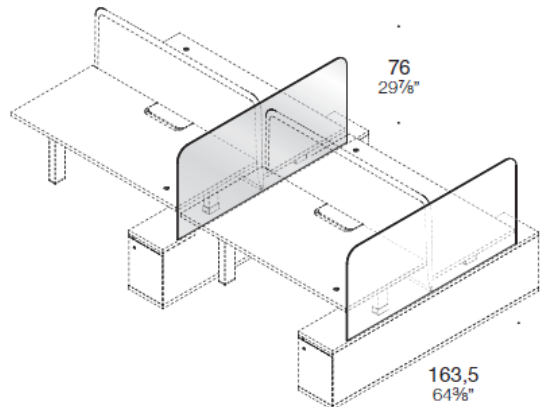
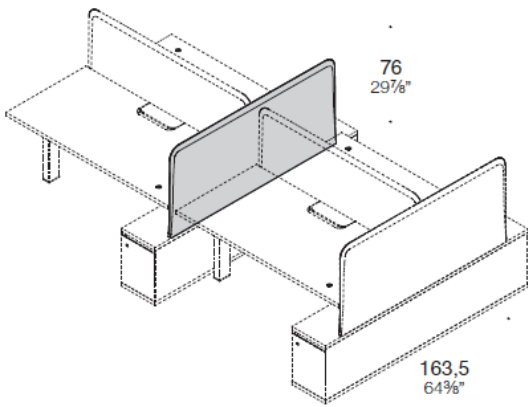
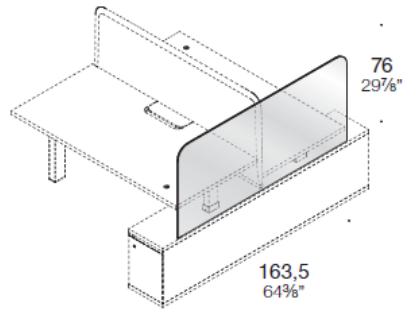
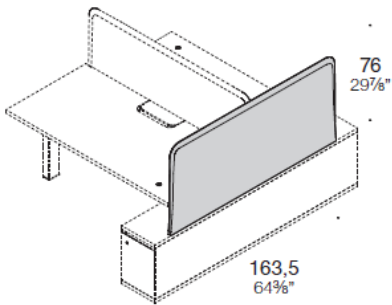


Evolution 33 – Base for bench with hinged door



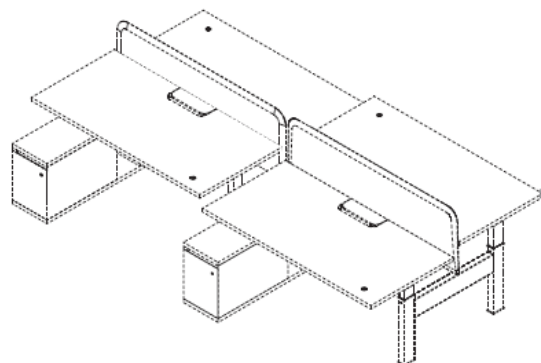
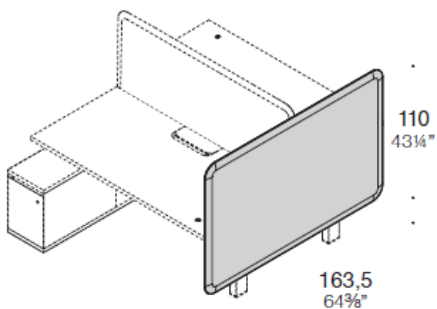
Evolution 33 – Base for bench with door with ecobox and Chair Box Vallet

# DIMENSIONS



Evolution 33 - Side/intermediate panel in fabric for bench

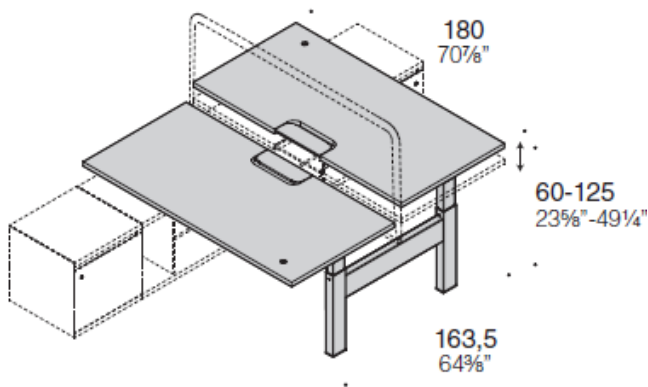
Evolution 33 - Side/intermediate panel in glass for bench



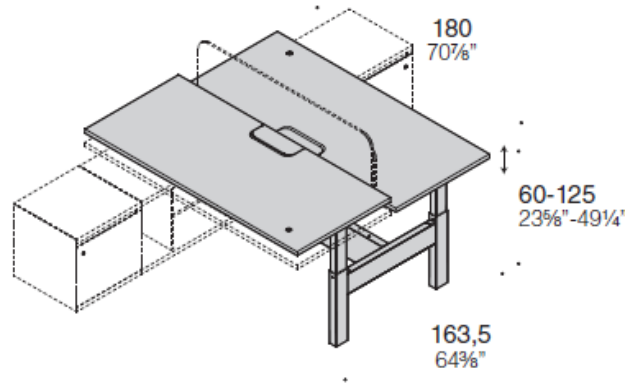
Evolution 33 - End panel in fabric for bench

Connection kit

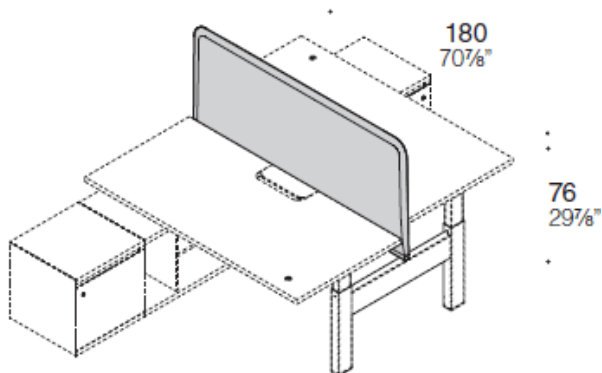
# DIMENSIONS



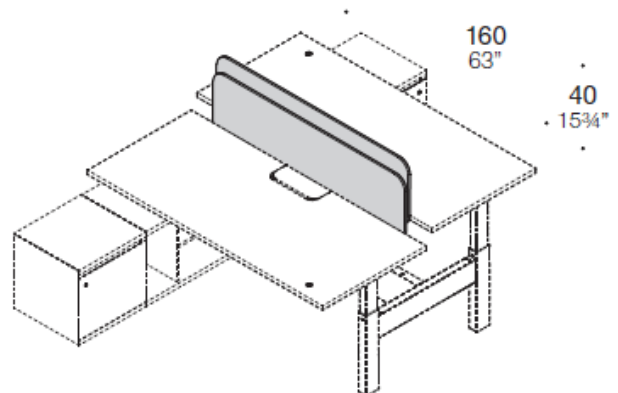
Evolution 50 - 2 seater bench with fixed screen panel, pivot top access and cable trays



Evolution 50 - Fixed screen panel

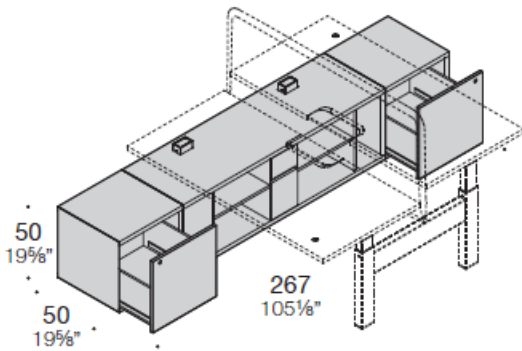


Evolution 50 – 2 seater bench with height adjustable screen panels, pivot top access and cable trays

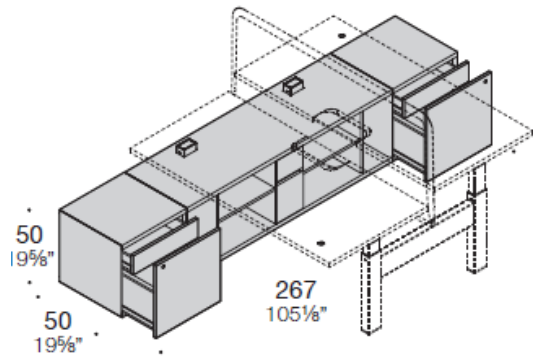


Evolution 50 - Couple of height adjustable screen panels

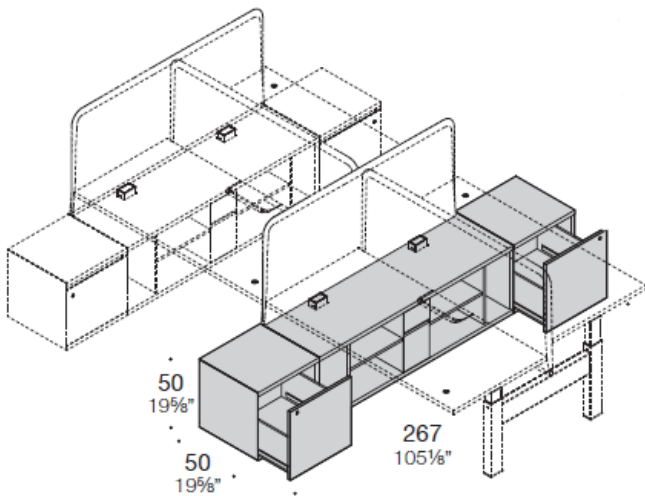
# DIMENSIONS



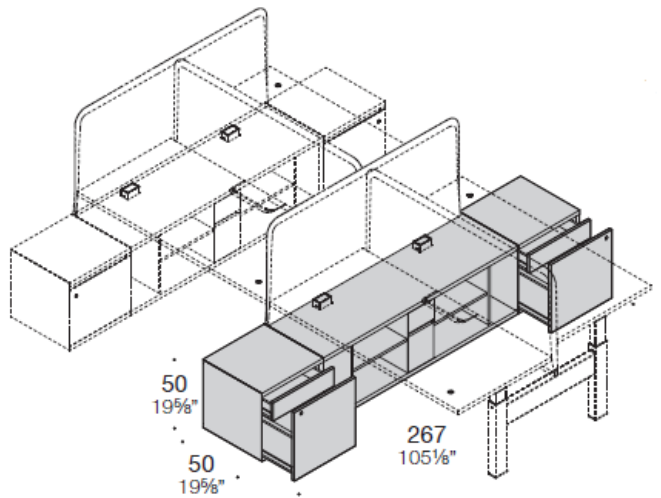
Evolution 50 – End base for bench with filing cabinets



Evolution 50 – End base for bench with internal drawer and filing cabinet

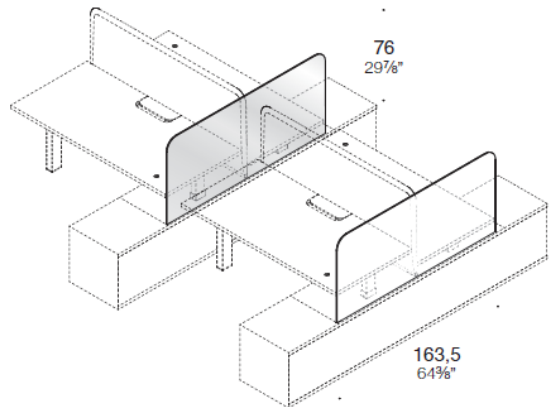
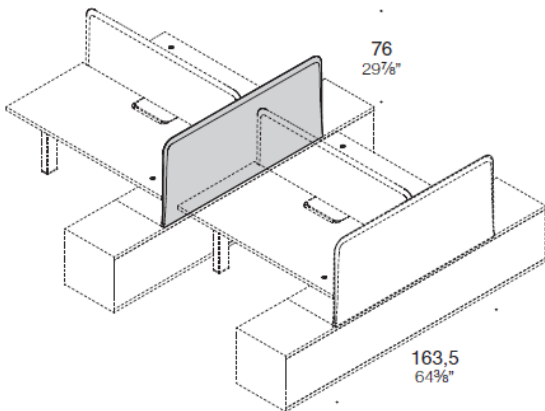
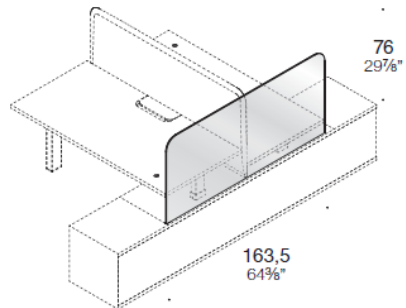
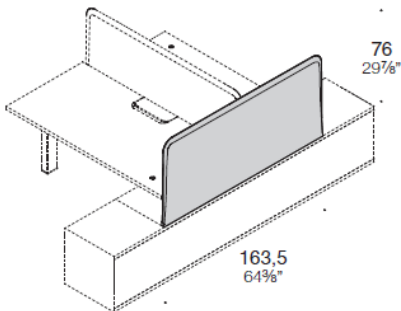


Evolution 50 – Intermediate base for bench with filing cabinet



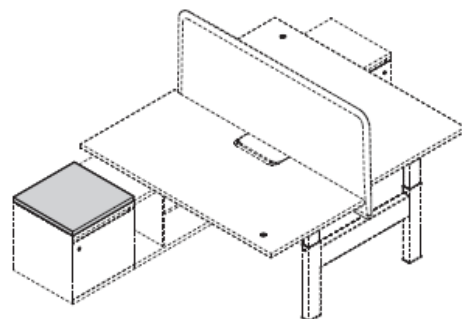
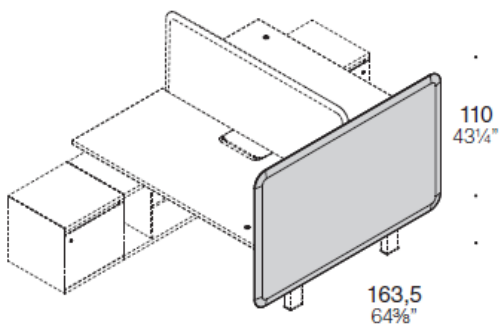
Evolution 50 – Intermediate base for bench with internal drawer and filing cabinet

# DIMENSIONS



Evolution 50 - Side/intermediate panel in fabric for bench

Evolution 50 - Side/intermediate panel in glass for bench

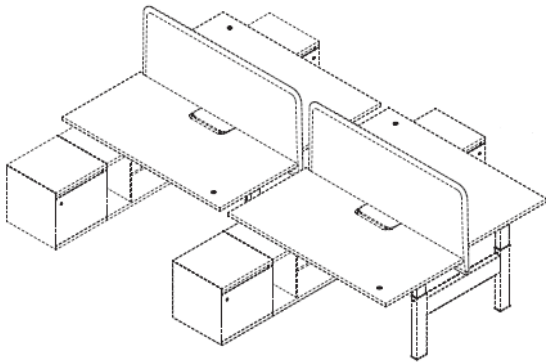


Evolution 50 - End screen panel in fabric

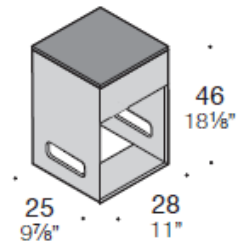
Evolution 50 - Cushion for base



## DIMENSIONS

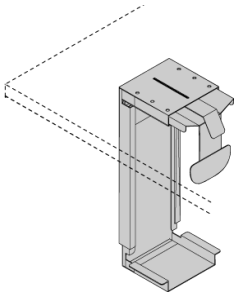


Connection kit

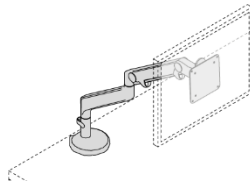


Chair Box Vallet - Box - to be placed  
inside Lockers, Top Fly or Joint

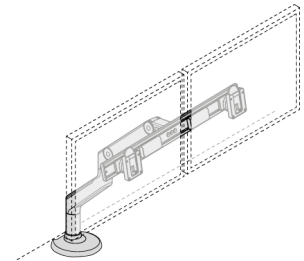
# ACCESSORIES



CPU holder with extensible support



Single monitor holder



holder

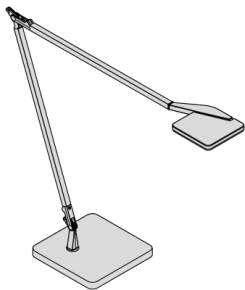
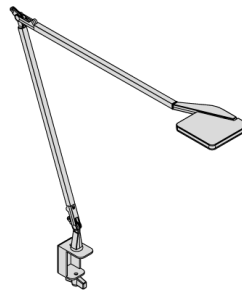
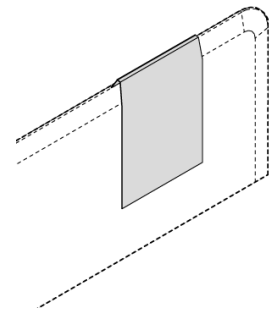


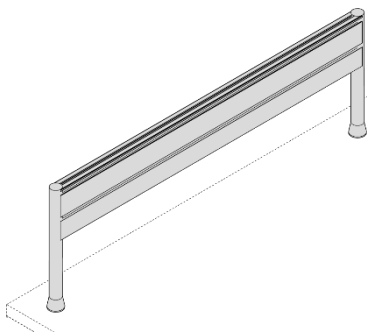
Table lamp



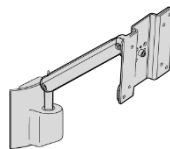
Clamp lamp



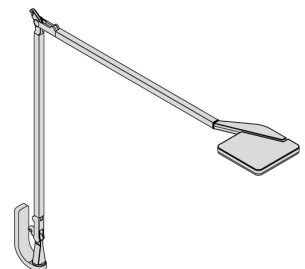
Whiteboard for screen panel



Accessory bar

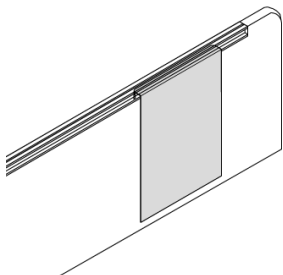


Monitor holder for bar

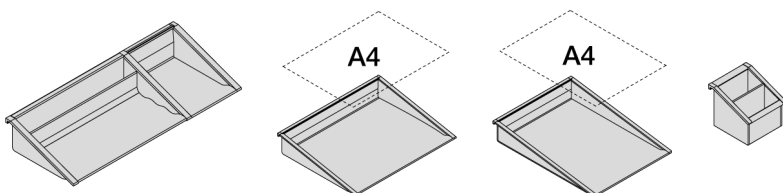


LED lamp for bar

# ACCESSORIES



Whiteboard for screen panel with aluminium frame



Accessories for bar



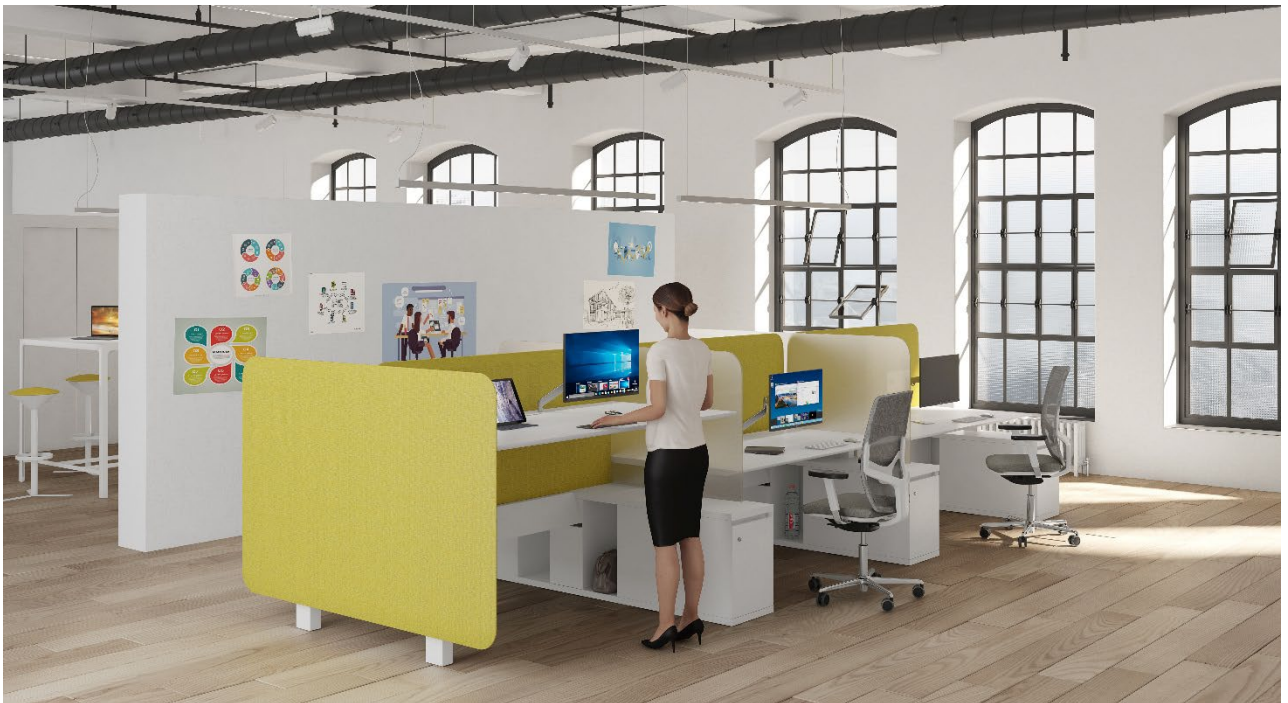
Evolution – single desk



Evolution – 2 seater bench



Evolution – 6 seater bench



Evolution – 6 seater bench

# Evolution manager

Design by Estel R&D

## Evolution Manager

It's the single-desk solution with height-adjustment system and storage unit (depth 50 cm - 19 $\frac{5}{8}$ "), available in two solution with different internal setup: drawers, sliding door cabinets, open cabinets. An extensible cable-holding membrane hides the cables between worktop and cabinet.



## TECHNICAL FEATURES



### Piani

#### NOBILITATO G90

Piani realizzati in particelle di legno sp. 30 mm, nobilitati melaminici con superfici antigraffi o e antiriflesso, sono bordati in ABS.

#### BORDO ERGO

#### NOBILITATO SU MDF

Piani in MDF, sp. mm 30, con superficie in melamina antigraffi o e anti-riflesso; bordi a vista con trattamento protettivo superficiale trasparente o bianco; angoli stondati; i piani presentano su tutto il perimetro una elegante rastrematura verso il bordo.

#### BORDO ERGO

#### ESSENZA

Piani in essenza, sp. mm 30; bordi a vista in essenza; angoli stondati; i piani presentano su tutto il perimetro una elegante rastrematura verso il bordo.

Gli angoli esterni dei piani di lavoro sono arrotondati (raggio 80).

### Struttura

Piede in lamiera metallica sagomata, dotati di piedini di regolazione a vite. Traverso in profilo metallico a sezione rettangolare. Colonne di sollevamento a struttura metallica tubolare a tre stadi.

### Regolazione del piano Sit&Stand

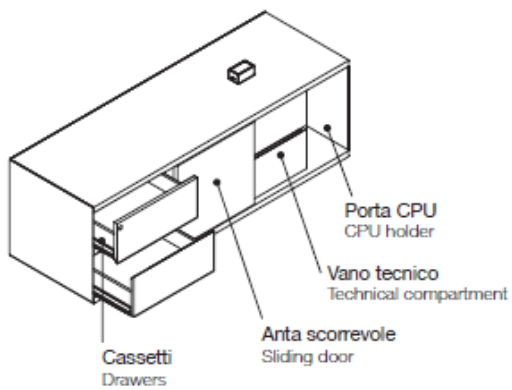
Il sistema di sollevamento del piano permette di passare da postazione di lavoro seduta a postazione in piedi. Le colonne di sollevamento sono di ultima generazione con motore a potenza, velocità e silenziosità sorprendenti, e sono gestite da una centralina di controllo. Il pulsante di comando è integrato nel piano. Il sistema è dotato di controllo anti schiacciamento.



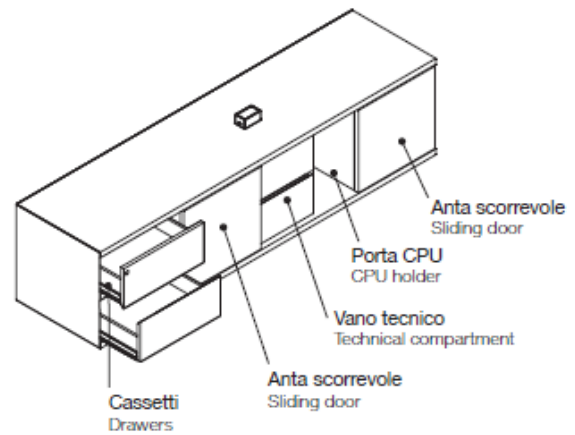
# TECHNICAL FEATURES

## Evolution manager bases

Base W150 (59") (A) e W200 (78"3/4) (B).



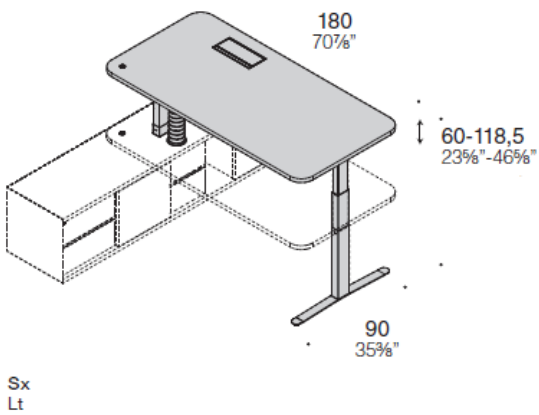
Version **A**



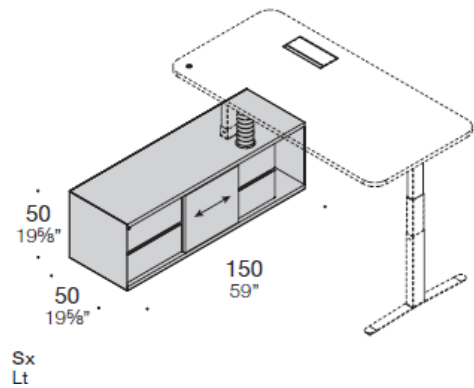
Version **B**



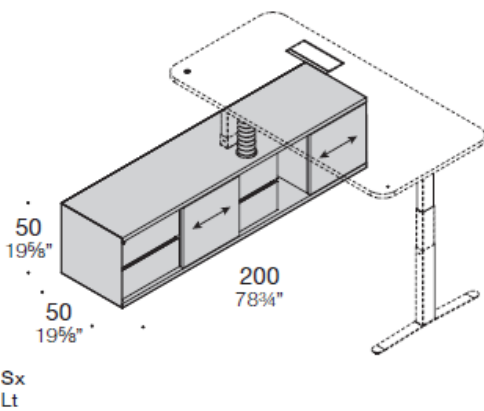
# DIMENSIONS



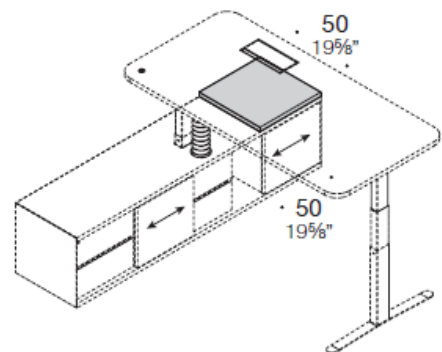
Evolution Manager – Single desk with cornice top access and thermoformed cable tray



Evolution Manager – W150 (59") Base

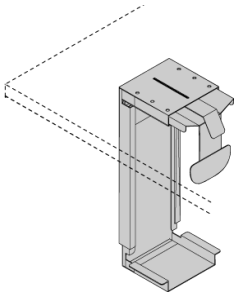


Evolution Manager – W200 (78 3/4 ") Base

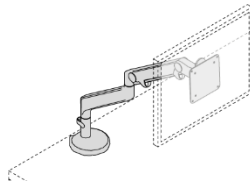


Evolution Manager – Cushion for W200 (78 3/4 ") base

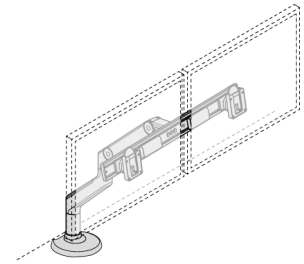
# ACCESSORIES



CPU holder with extensible support



Single monitor holder



holder

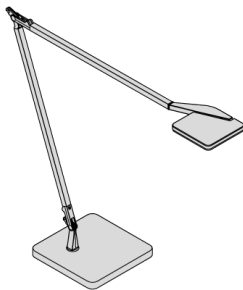
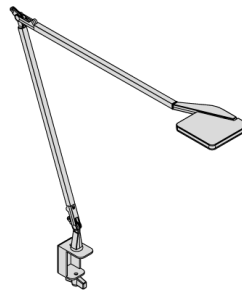
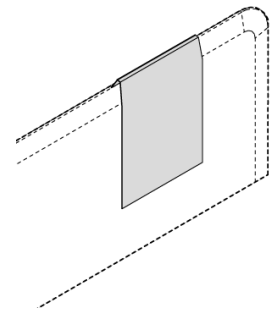


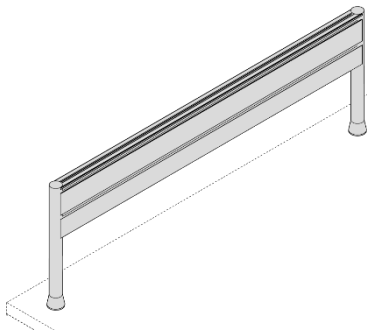
Table lamp



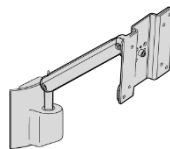
Clamp lamp



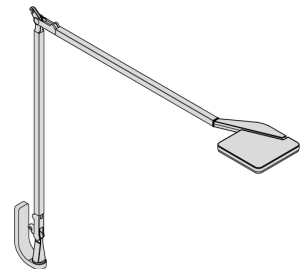
Whiteboard for screen panel



Accessory bar

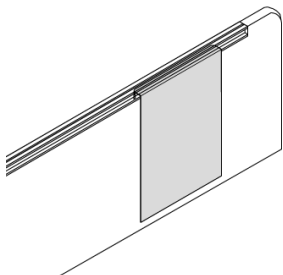


Monitor holder for bar

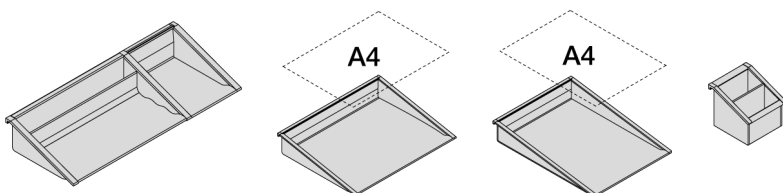


LED lamp for bar

# ACCESSORIES



Whiteboard for screen panel with aluminium frame



Accessories for bar



## **HEADQUARTER**

Estel Group srl  
Via Santa Rosa 70  
36016 Thiene (VI) – Italy  
Tel. +39 0445 389611  
Fax +39 0445 808801  
[www.estel.com](http://www.estel.com)

The information shown in this document is based on the latest published price lists. The Company reserves the right to modify the products without prior notice.

**ESTEL rev. 03\_07/2019**

---