

The structure with inclined leg CAVALETTTO is characterized by essentiality and versatility. Being independent from the shape of the countertop, it allows the creation of single desks or benches with rectangular, square, circular or elliptical tops with ergonomic shapes and rounded corners, and with the maximum design freedom. Cavalletto has also a wide range of finishes. All bench compositions feature an electrification system integrated under top, by means of metal sheet trays; they also can be equipped with some accessories such as top access, accessories bar, monitor arms, CPU holder, screen panels, vertical cable holder, whiteboards..

Structure: legs and crossbeams made of metal profiles with a section of cm 5x3; with powder coated finish; structure is mounted on adjustable feet.

Countertops: made with chipboard panels, th. mm 30, with anti-scratch and anti-reflective melamine finish; edges "G90" in ABS th. mm 2,5. Also available: countertops in MDF, th. mm 30, with anti-scratch and anti-reflective melamine surface; "ERGO" edges with protective treatment transparent surfaces; rounded corners; the tops have an elegant tapered design on the perimeter .

Countertop height from the floor: 74 cm;

Dimensional modules of countertops: 140,160 or 180x80 cm;

Top Access «Pivot»: standard for all benches;

Top Access «Cornice»: available for single desk;

Screen Panels and lateral panels (for bench): available in fabric and/or with integrated aluminium bar for accessories.

Electrification

Bench compositions are equipped with top access and under-top tray, in powder coated metal, for the housing of cables and multi-sockets.

Finishes:

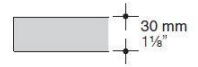
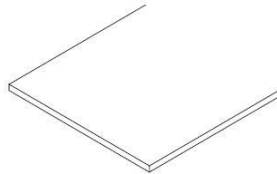
Single Desk/Bench Tops: «G90» melamine; «Ergo» melamine on MDF, Snow White or Oak finishes;

Structure: White Snow painted metal or transparent varnished rough metal.

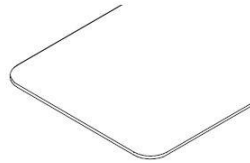
Screen Panels: «Smart Office» fabric cat. B, F ,G, L.



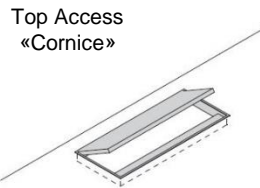
Structure



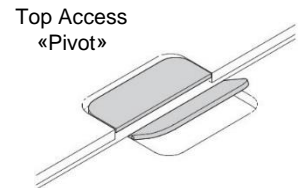
Edge G90



Edge ERGO



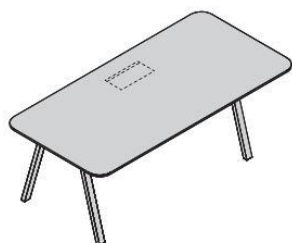
Top Access «Cornice»



Top Access «Pivot»

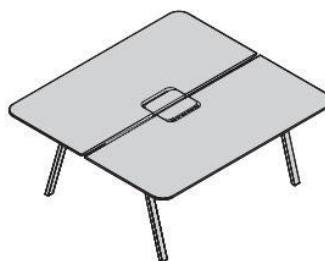


Single Desk



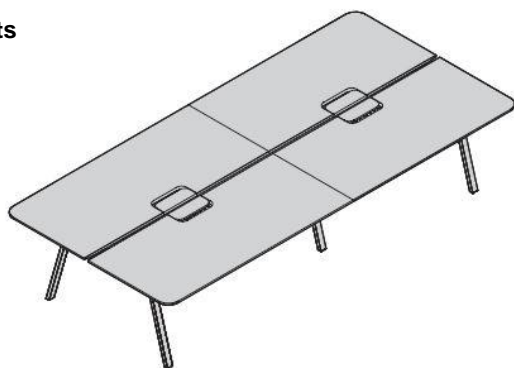
L 140 x W 80 x H 74 cm
 L 160 x W 80 x H 74 cm
 L 180 x W 80 x H 74 cm

Bench 2 seats



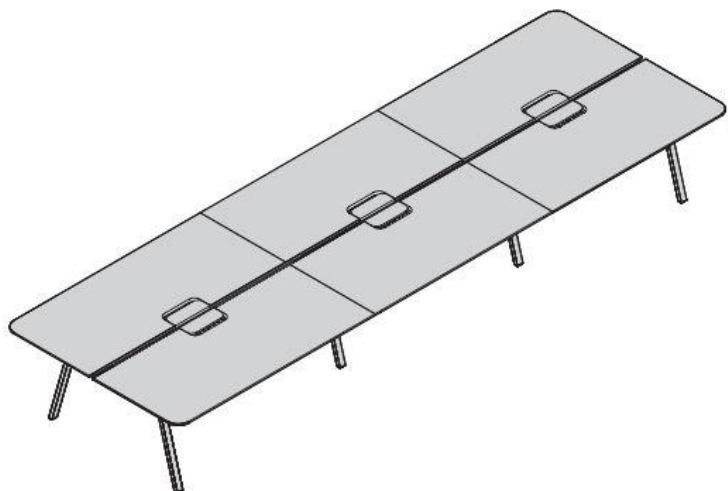
L 140 x W 163,5 x H 74 cm
 L 160 x W 163,5 x H 74 cm
 L 180 x W 163,5 x H 74 cm

Bench 4 seats



L 280 x W 163,5 x H 74 cm
 L 320 x W 163,5 x H 74 cm
 L 360 x W 163,5 x H 74 cm

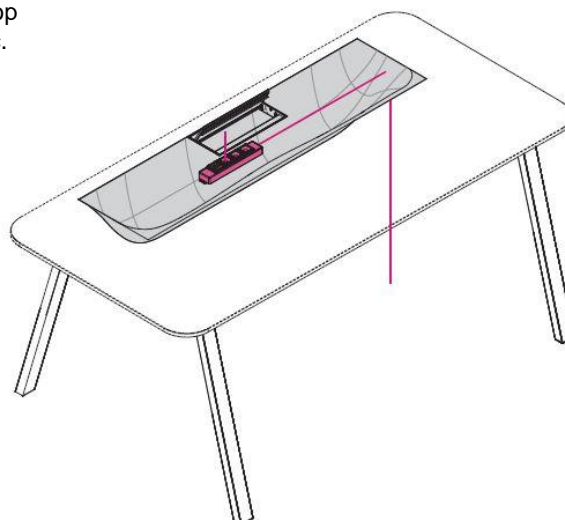
Bench 6 seats



L 420 x W 163,5 x H 74 cm
 L 480 x W 163,5 x H 74 cm
 L 540 x W 163,5 x H 74 cm

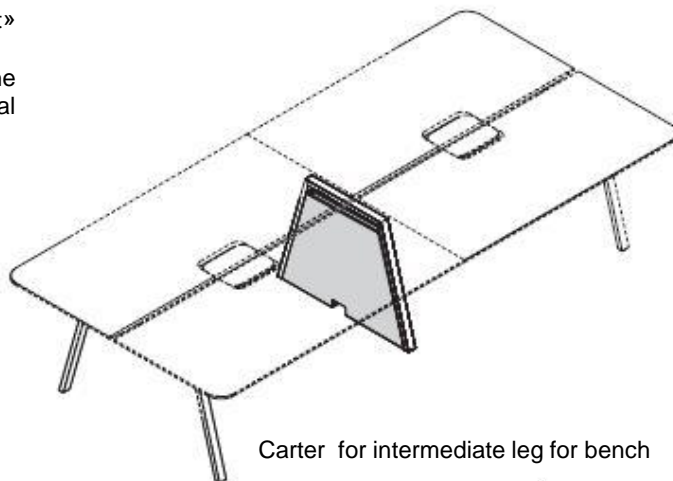
ELECTRICAL CONNECTION FOR SINGLE DESK

Electrification system for single desk is made of cornice top access and thermoformed cable tray upholstered in fabric. The cable tray has also the function of modesty panel.



ELECTRICAL CONNECTION FOR BENCHES

Benches always include electrification through the «Pivot» top access and undertop tray in painted metal. It is also available as an option the cable cover carter for the intermediate legs of benches. Also available are several additional equipments for electrification.



Carter for intermediate leg for bench



Top Access «Cornice»



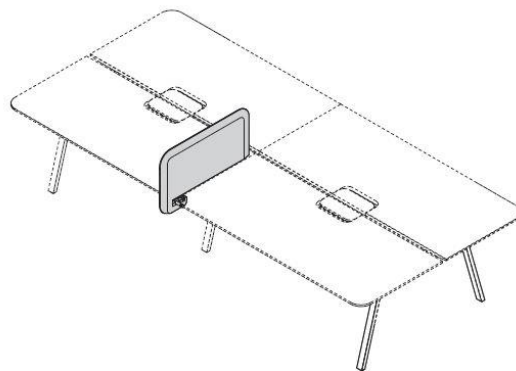
Cable Outlet



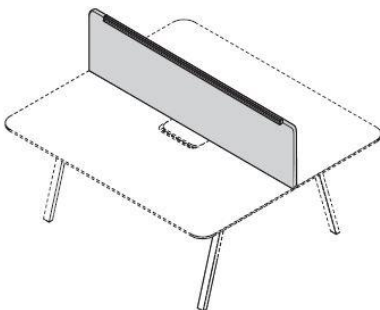
Vertical cable holder

SCREEN PANELS

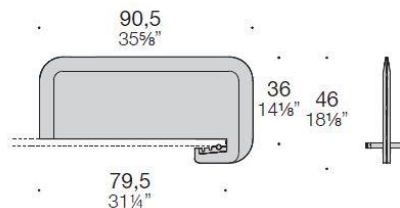
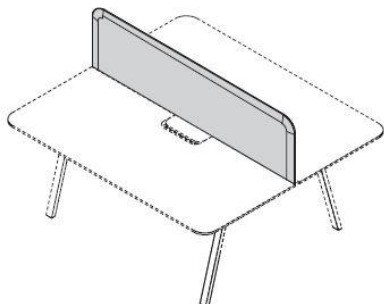
Screen panels are made of fabric and they are available in two heights(H 36 or 52 cm) or in H36 version with a aluminum outline on the upper edge for the placement of accessories. It is also available the dockable lateral screenpanel.



Screen panel H36-H52 cm with accessories bar



Screen panel (H36 - H 52 cm)



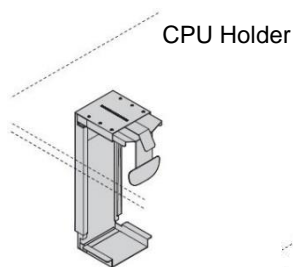
Side Screen Dockable Panel

ACCESSORIES

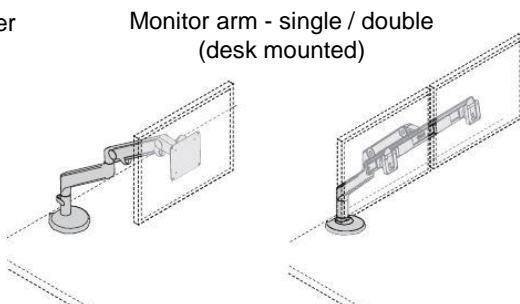
Various accessories are available to complete the equipment of the desks: top access, storage compartments, monitor arms, CPU holder, screen panels, vertical cable holders, cables trays, whiteboards.



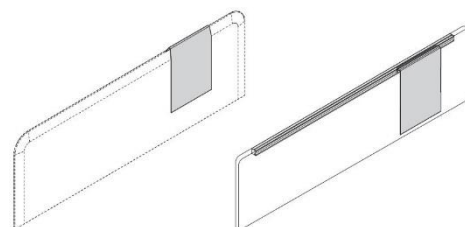
Side Screen Dockable Panel



CPU Holder



Monitor arm - single / double (desk mounted)



Whiteboards

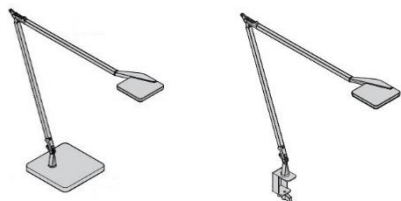
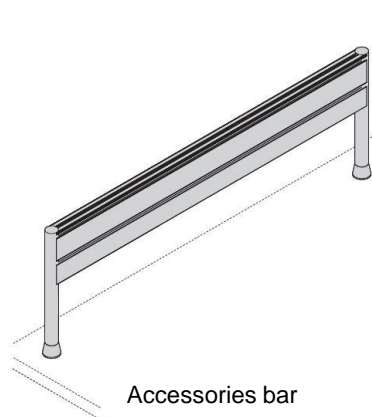
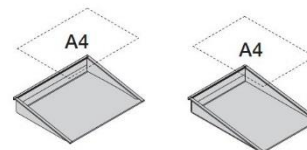
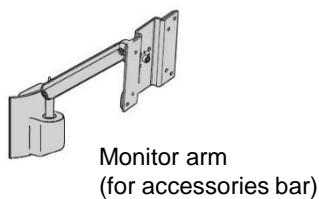


Table LED Lamp (with base or clamp)



Accessories bar



Monitor arm (for accessories bar)

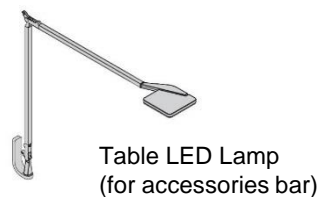
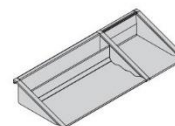


Table LED Lamp (for accessories bar)



Organizer (for accessories bar)